

REF **MDS80619T**
(250 lb.)



Trapeze Bed Mount Kit Trapeze Base

INSTALLATION / ASSEMBLY INSTRUCTIONS

NOTE: Check all parts for shipping damage. In case of shipping damage, DO NOT use. Contact carrier/dealer for further instruction.

WARNING

DO NOT assemble or use this equipment without first reading and understanding this instruction sheet. If you are unable to understand the Warnings, Cautions or Instructions, contact a healthcare professional, dealer or technical personnel before attempting to install this equipment; otherwise, injury or damage may occur.

After assembly and BEFORE use, ensure that ALL attaching hardware is securely tightened.

If, for any reason, a proper fit in installation cannot be achieved, do not use and contact retailer where purchased for return instructions.

Trapeze bar is intended to provide balance and support to a patient; it is NOT intended to support an individual's full body weight. Using bar to support full body weight may result in product damage and personal injury.

ATTACHING TRAPEZE TO FLOOR BED/BASE END

BED END – Locate the lower bed bracket in the center of the bottom bed frame with the tubular hook facing up. Secure the wing nuts to anchor lower bed bracket onto bottom bed frame.

Base Assembly

Insert the upper base tube into the two sets of lower floor base tubes until the spring pins are locked and rest them on the ground as the figure shows. This is the lower base assembly.

Installing Upper Trapeze Section

1. Set the trapeze on a flat surface for easy installation of the top bed bracket.
2. Loosen the wing nuts on the top bed bracket and push the bracket approximately $\frac{3}{4}$ of the way up on the offset bar.
3. Tighten the wing nuts just enough to hold the top bed bracket in place on the offset bar.
4. Place the trapeze assembly into the socket of the bottom bracket and position the tubular hook of the bed bracket so that it rests on the top rail of the floor bed/base end.
5. Securely tighten the wing nuts to anchor the top bed bracket to the top rail of the floor bed/base end.
6. Adjust the position and/or height of the trapeze.

ADJUSTING THE TRAPEZE

Height

1. Place any of the lower chain links onto the "S" hook.

Position

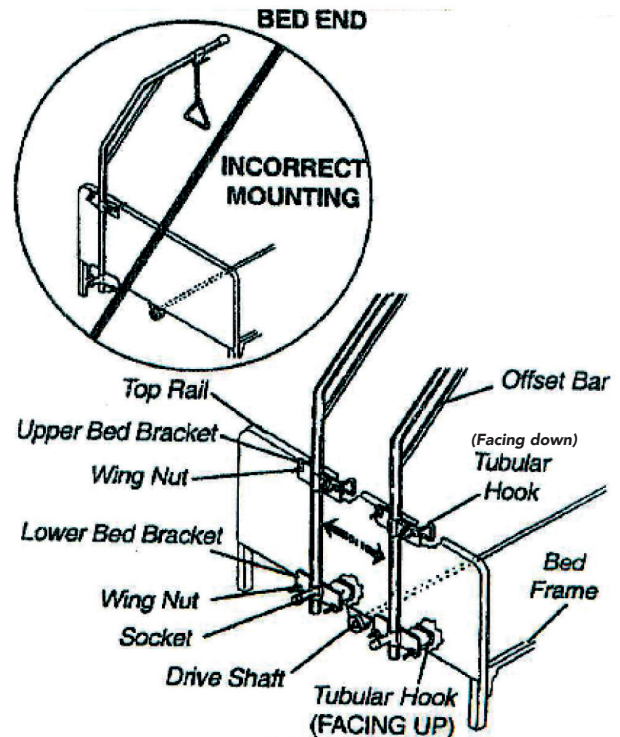
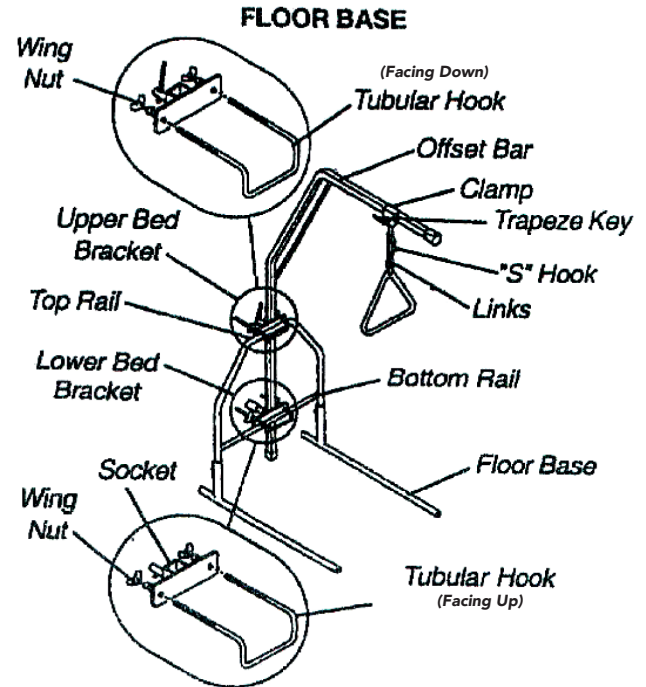
1. Loosen the trapeze key by turning counter-clockwise.
2. Push the clamp to preferred location on the offset bar.
3. Secure the trapeze clamp to the offset bar by turning key clockwise.

LIMITED WARRANTY

Your Medline brand product is warranted to be free of defects in materials and workmanship for a period of three (3) years from the date of purchase. This device was built to precise standards and carefully inspected prior to shipment. This limited warranty is an expression of our confidence in the materials and workmanship of our products and assures years of convenient, dependable service. In the event of a defect covered by this warranty, we will, at our option, repair or replace the device.

This warranty does not cover device failure due to owner misuse or negligence, or normal wear and tear. The warranty does not extend to non-durable components, such as rubber accessories, which are subject to normal wear and replacement.

Non-durable components are warranted for 6 months. If you have a question about your Medline product or this warranty, please call us at 1-800-MEDLINE.



www.medline.com

Manufactured in China for: Medline Industries, LP,
Three Lakes Drive, Northfield, IL 60093 USA.

1-800-MEDLINE