

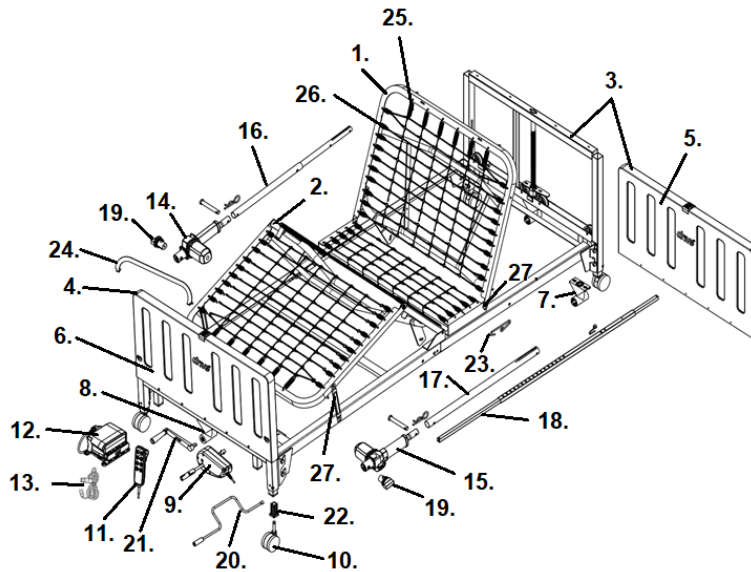
- | | |
|---|--|
| <p>1. Head Spring- 15008</p> <p>2. Foot Spring- [4]</p> <p>3. Head Board- 15547H-P
Head Board Panel- 15547HPC-1</p> <p>4. Head Board Gear Box- 15544HGB</p> <p>5. Foot Board- 15547F-P
Foot Board Panel- 15547FPC-1</p> <p>6. Foot Board Gear Box- 15544FGB
Emergency Hi/Lo Crank- 15544C</p> <p>7. Hi/Lo Shaft- 15005S</p> <p>8. Hi/Lo Shaft Adj Button- [3]</p> <p>9a. Hi/Lo Motor- 15005HL-L</p> <p>9b. Hi/Lo Motor Mounting Bracket- 15005P1029-L</p> <p>9c. Hi/Lo Motor Cable- [3]</p> <p>9d. Hi/Lo Motor Coupler- 15005HLS</p> <p>10. Caster Receptacle- 15005P-1027
Caster w/Lock- 15044CL
Caster w/o Lock- 15044CNL
Caster Set (2 of ea)- 15044CSET</p> | <p>11. Motor Control Box- 15005JBN-L
Motor Control Box Mtg. Bracket- [3]</p> <p>12. Power Cord- 15005PC-L</p> <p>13. Hand Pendant- 15005HCN-L</p> <p>14. Head Motor- 15005MH-L</p> <p>15. Head Motor Tube- 15005P1025-L</p> <p>16. Foot Motor- 15005MF-L</p> <p>17. Foot Motor Tube- 15005PF1025-L</p> <p>18. Q/R Spring Knob- 15005P-1028</p> <p>19. Head or Foot Motor Cable- 15005HFC-L</p> <p>20. Motor Attachment Pin- 15005P1016</p> <p>21. Extension Spring Head or Foot- 15005-SPRING
Extension Spring Side- 15005-SPRING-1</p> <p>22. Sleep Surface Hook- 15005P-1040</p> <p>23. Frame Linkage- 15030-FRLINK [1]</p> <p>24. Mattress Stop- 15005P1024</p> <p>25. Emergency Head/Foot Crank- 15005EC-L</p> |
|---|--|

[1] 2 Spring deck bolts included with this part.

[2] When stock is gone the part is no longer available.

[3] Stock is gone the part is no longer available.

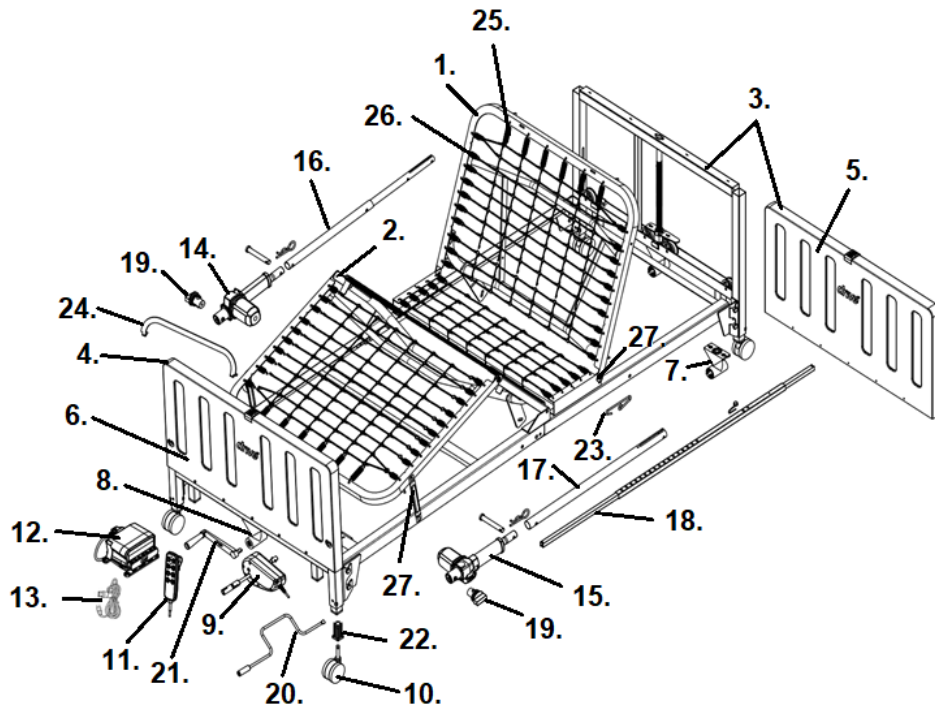
[4] Part 15013-L no longer available. Must order 15013-D and 15005HC-D.



- | | |
|--|---|
| <p>1. Head Spring - 15008
 2. Foot Spring Dewert- 15013-D
 Foot Spring Richmat- 15013-R [2]
 3. Head Board - 15547H-P
 Head Board- 15547HN-P [2]
 4. Foot Board - 15547F-P
 Foot Board- 15547FN-P [2]
 5. Head Board Panel- 15547HPC-1
 6. Foot Board Panel - 15547FPC-1
 7. Head Board Gear Box- 15544HGB
 8. Foot Board Gear Box- 15044FGB
 9. Hi/Lo Motor Dewert- 15005HL-D
 Hi/Lo Motor Richmat- 15005HL-R [2]
 10. Caster w/lock- 15044CL
 Caster w/lock- 15005CL [2]
 Caster w/o lock- 15044CNL
 Caster w/o lock- 15005CNL [2]
 Caster Set (2 of ea)- 15044CSET
 Caster Set (2 of ea)- 15005CSET [2]
 11. Hand Pendant Dewert- 15005HC-D</p> | <p>11. Hand Pendant Richmat- 15005HC-R [2]
 12. Junction Box Dewert- 15005JBN-D
 12. Junction Box Richmat- 15005JBN-R [2]
 13. Power Cord Dewert- 15005PC-D
 14. Head Motor Dewert- 15015MH-D
 14. Head Motor Richmat- 15005MH-R [2]
 15. Foot Motor Dewert- 15015MF-D
 15. Foot Motor Richmat- 15005MF-R [2]
 16. Head Motor Tube- 15005H1025-D
 17. Foot Motor Tube- 15005F1025-D
 18. Hi/Lo Shaft- 15005S
 19. Quick Release Pin - 15005P-1028
 20. Emergency Head/Foot Crank- 15552-05
 21. Emergency Hi/Low Crank- 15544C
 22. Caster Receptacle- 15005P-1027
 23. Sleep Surface Hook- 15005P-1040
 24. Mattress Stop- 15005P1024
 25. Head Extension Spring- 15005-Spring
 26. Side Extension Spring- 15005-Spring-1
 27. Frame Linkage- 15030-FRLINK [1]</p> |
|--|---|

[1] 2 spring deck bolts included.
 [2] Serial # 1S240600001 & later.

05/07/2025



- | | |
|-------------------------------------|---|
| 1. Head Spring - 15008 | Hand Pendant Richmat- 15005HC-R [2] |
| 2. Foot Spring Dewert- 15013-D | 12. Junction Box Dewert- 15005JBN-D |
| Foot Spring Richmat- 15013-R [2] | Junction Box Richmat- 15005JBN-R [2] |
| 3. Head Board - 15547H-P | 13. Power Cord Dewert- 15005PC-D |
| Head Board- 15547HN-P [2] | 14. Head Motor Dewert- 15015MH-D |
| 4. Foot Board - 15547F-P | Head Motor Richmat- 15005MH-R [2] |
| Foot Board- 15547FN-P [2] | 15. Foot Motor Dewert- 15015MF-D |
| 5. Head Board Panel- 15547HPC-1 | 15. Foot Motor Richmat- 15005MF-R [2] |
| 6. Foot Board Panel - 15547FPC-1 | 16. Head Motor Tube- 15005H1025-D |
| 7. Head Board Gear Box- 15544HGB | 17. Foot Motor Tube- 15005F1025-D |
| 8. Foot Board Gear Box- 15544FGB | 18. Hi/Lo Shaft- 15005S |
| 9. Hi/Lo Motor Dewert- 15005HL-D | 19. Quick Release Pin - 15005P-1028 |
| Hi/Lo Motor Richmat- 15005HL-R [2] | 20. Emergency Head/Foot Crank- 15552-05 |
| 10. Caster w/lock- 15044CL | 21. Emergency Hi/Low Crank- 15544C |
| Caster w/lock- 15005CL [2] | 22. Caster Receptacle- 15005P-1027 |
| Caster w/o lock- 15044CNL | 23. Sleep Surface Hook- 15005P-1040 |
| Caster w/o lock- 15005CNL [2] | 24. Mattress Stop- 15005P1024 |
| Caster Set (2 of ea)- 15044CSET [2] | 25. Head Extension Spring- 15005-Spring |
| Caster Set (2 of ea)- 15005CSET | 26. Side Extension Spring- 15005-Spring-1 |
| 11. Hand Pendant Dewert- 15005HC-D | 27. Frame Linkage- 15030-FRLINK [1] |

[1] 2 spring deck bolts included with this part.

[2] Serial # 7N2405391793 & later.

08/08/2025