

## lifetime limited warranty

Your Drive branded product is warranted to be free of defects in materials and workmanship for the lifetime of the product for the original consumer purchaser.

This device was built to exacting standards and carefully inspected prior to shipment. This Lifetime Limited Warranty is an expression of our confidence in the materials and workmanship of our products and our assurance to the consumer of years of dependable service.

This warranty does not cover device failure due to owner misuse or negligence, or normal wear and tear. The warranty does not extend to non-durable components, such as rubber accessories, casters, and grips, which are subject to normal wear and need periodic replacement.

If you have a question about your Drive device or this warranty, please contact an authorized Drive dealer.



© 2025 Medical Depot, Inc. All rights reserved.  
Drive is a trademark of Medical Depot, Inc.  
Port Washington N.Y. 11050 USA Made in China

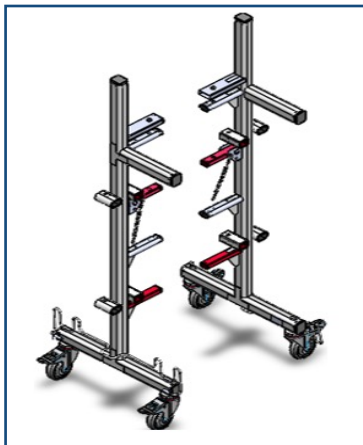
## LTC Universal Bed Transporter Assembly Instructions

item # LTCTRP

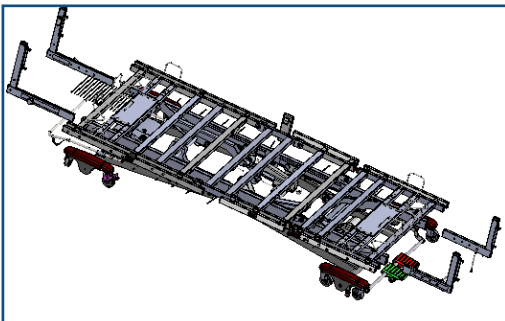


[www.drivemedical.com](http://www.drivemedical.com)

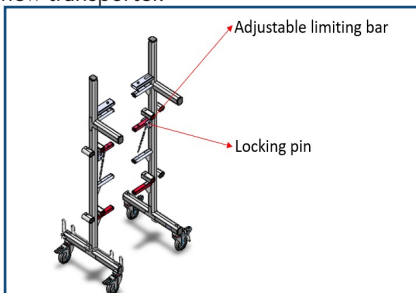
# Assembly Instructions: P903



1. Disassemble headboard and foot board from the bed.



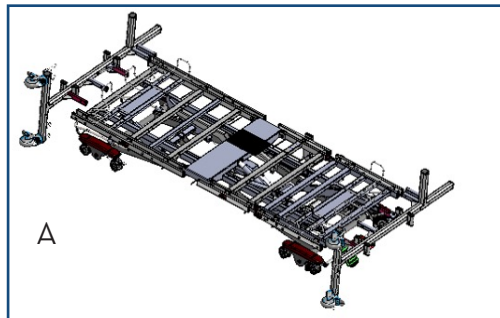
2. Remove four 5/16"-18 x 1/2" socket button head screws from new transporter.



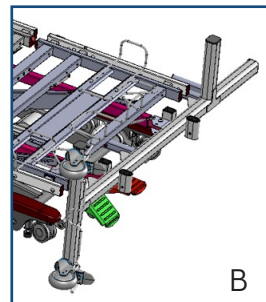
3. Assemble new transporter to bed frame as picture.

A. See detailed assemble locations in picture.

B. (highlighted in pink)

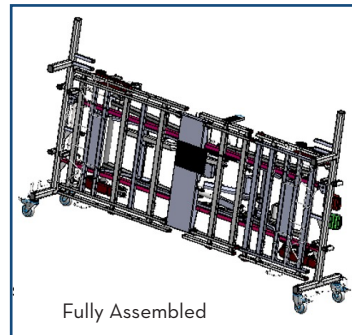
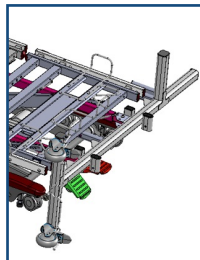


A



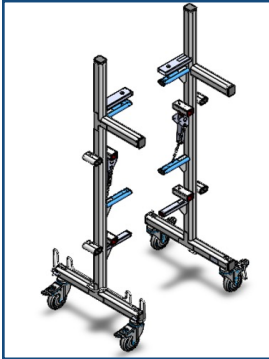
B

4. Use 5/16" wrench to lock the four 5/16"-18 x 1/2" socket button head screws to the bed frame.

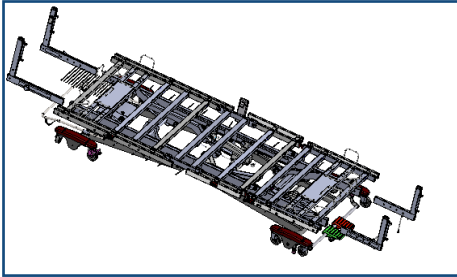


Fully Assembled

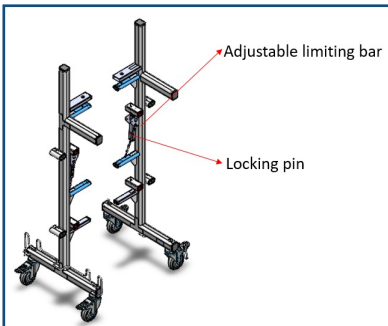
# Assembly Instructions: P703/P503



1. Disassemble headboard and foot board from the bed.

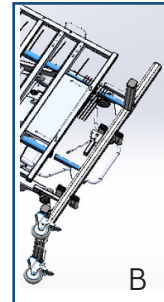
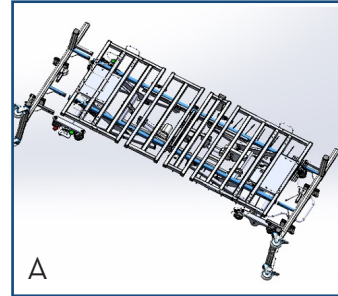


2. Remove the locking pin and four 5/16" - 18 x 1/2" socket button head screws from new transporter, then rotate the adjustable limiting bar down 90 degrees and insert the locking pin.

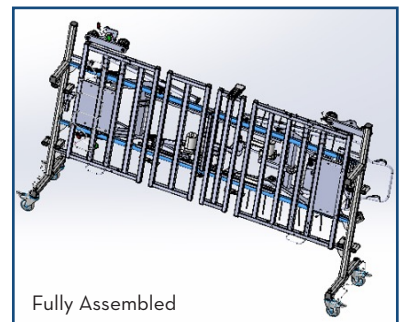
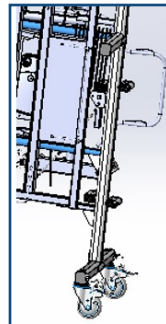


3. Assemble new transporter to bed frame as picture.

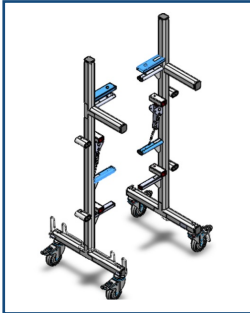
- A. See detailed assemble locations in picture.
- B. (highlighted in blue)



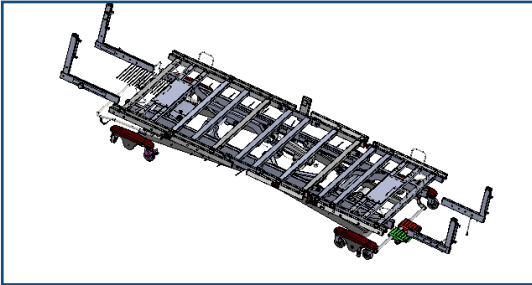
4. Use 5/16" wrench to lock the four 5/16" - 18 x 1/2" socket button head screws to the bed frame.



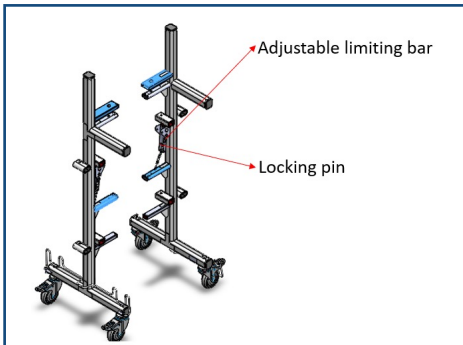
# Assembly Instructions: P750



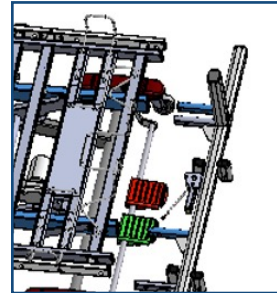
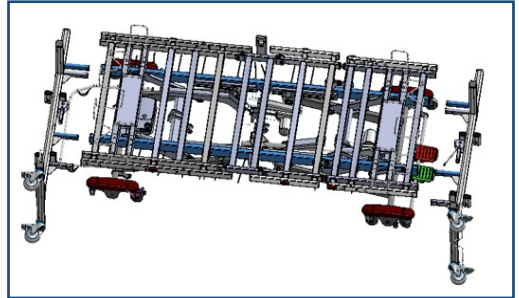
1. Disassemble headboard and foot board from the bed.



2. Remove the locking pin and four 5/16" - 18 x 1/2" socket button head screws from new transporter, then rotate the adjustable limiting bar down 90 degrees and insert the locking pin.



3. Assemble new transporter to bed frame as picture.
  1. See detailed assemble locations in picture
  2. (highlighted in blue)



4. Use 5/16" wrench to lock the four 5/16" - 18 x 1/2" socket button head screws to the bed frame.

