

Free-standing Bariatric Trapeze

Item # P750TPZ

driveTM

www.drivemedical.com

TABLE OF CONTENTS

| | |
|---|----|
| Introduction | 3 |
| Standard Symbols Used | 3 |
| Important Safety Instructions | 4 |
| Use/Storage Environment Information | 5 |
| Device Description & Technical Specifications | 5 |
| • Features | 5 |
| Assembly & Directions for Use | 6 |
| • Tools Required | 6 |
| • Hardware Chart | 6 |
| • Inspection | 7 |
| Care & Maintenance | 10 |
| Warranty | 11 |
| Correct Disposal of Product | 11 |

INTRODUCTION

Thank you for choosing the Drive DeVilbiss Healthcare free-standing bariatric trapeze, item P750TPZ. This product is an accessory to the bariatric LTC bed, item P750, and is intended to support a portion of a person's weight to aid in the repositioning of their body.

STANDARD SYMBOLS USED IN THIS MANUAL

STANDARD SYMBOLS USED IN THIS MANUAL

The information within this document is subject to change without notice. This manual includes important information about safety of personnel and equipment. As you read through this manual be aware of the four signal terms.

DANGER

Information that appears under the DANGER description concerns the protection of personnel from direct and pending hazards that, if not avoided, will result in immediate, serious personal injury or death in addition to damage of the equipment.

WARNING

Information that appears under the WARNING description concerns the protection of personnel from possible hazards that can result in injury or death in addition to damage of the equipment.

CAUTION

Information that appears under the CAUTION description concerns the protection of personnel from possible hazards that may result in minor injury or damage of the equipment.


NOTE

Information that appears under the NOTE description gives added information, which helps in understanding the item being described.

IMPORTANT SAFETY INSTRUCTIONS

INTENDED USE

This product is intended to be used to support a portion of the user's weight while the user repositions their body while in the bed. Please read the owner's manual for the bed and this accessory in their entirety before using the Drive DeVilbiss Healthcare P750 bariatric bed and P750TPZ free standing bariatric trapeze.

 **DANGER** – This product is intended to be free standing only and should not be mounted to the physical bed.

 **WARNING** – To reduce the risk of injury to persons:

1. Use this product only for its intended use as described in this manual. Do not use attachments not recommended by the manufacturer.
2. Do not use outdoors or in environments where temperature and humidity are not controlled.
3. This product is not intended for use by children or persons with reduced physical, sensory, or mental capabilities, or lack of experience and knowledge, unless they have been given supervision or instruction concerning use of the product by a person responsible for their safety.
4. Children should be supervised to ensure that they do not play with the product.
5. No modification of this product is allowed.

 **WARNING**

- No modification of this equipment is allowed.
- Possible injury or death may occur if other than Drive DeVilbiss Healthcare replacement parts are used on any Drive DeVilbiss Healthcare trapeze or bed.
- NEVER allow anyone under product at any time.
- The weight capacity of this product is 600 lbs (272 kg).
- Body weight should be evenly distributed over the sleeping surface. Avoid situations where entire body weight is on a single segment of the mattress. This includes while assisting the user in repositioning or transferring out of bed.
- Supervision is required when this product is operated by or near children or people with disabilities.
- Ensure that the individual using this bed is properly positioned.

SAVE THESE INSTRUCTIONS

USE/STORAGE ENVIRONMENT INFORMATION

The recommended environment for operation is:

Ambient temperature: 10°C ~ 36°C (50°F~96.8°F)

Relative humidity range: 30% ~ 75%

The recommended environment for storage/transportation is:

Ambient temperature: -10°C ~ 50°C (14°F~122°F)

Relative humidity range: 20% ~ 95%

DEVICE DESCRIPTION & TECHNICAL SPECIFICATIONS

DEVICE DESCRIPTION:

The P750TPZ bariatric free-standing trapeze is a floor mounted device that allows patients to reposition themselves in bed.

TECHNICAL SPECIFICATIONS:

| Item # | P750TPZ |
|-----------------------------|---------|
| Total Height (inches) | 74.21" |
| Total Width (inches) | 36.53" |
| Total Depth (inches) | 59.33" |
| Width Between Legs (inches) | 29.29" |
| Boom Length (inches) | 44.92" |
| Product Weight (lbs.) | 127 |
| Shipping Weight (lbs.) | 138 |
| Weight Capacity (lbs.) | 600 |

STANDARD FEATURES:

- Welded frame
- Adjustable handle with strap with 5 adjustment options (each adjustment grade distance is 2")
- Adjustable sling mounting position on boom (center distance between each sling mounting position is 6")

ASSEMBLY & DIRECTIONS FOR USE

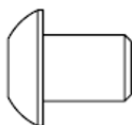
TRAPEZE PACKAGE CONTENTS:

- (2) Main Frame Legs
- (2) Casters
- (1) Mid-Section
- (1) Boom
- (1) Handle & Sling Assembly
- (12) 3/8"-16*1/2" Bolts
- (4) 3/8"-16*6" Bolts
- (2) 1/2"-13*4 3/4" Bolts
- (20) 3/8" Washer
- (4) 1/2" Washer
- (4) 3/8"-16 Nylock nut
- (2) 1/2"-13 Nylock nut
- (4) End Caps

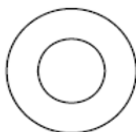
REQUIRED TOOLS FOR ASSEMBLY: (these tools are not provided)

- 7/32" Allen wrench
- 5/16" Allen wrench
- 9/16" Open end wrench or socket
- 3/4" Open end wrench or socket

HARDWARE CHART:



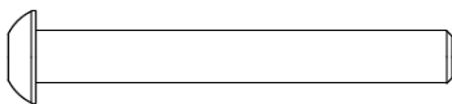
3/8"-16*1/2" BHCS
Qty 12



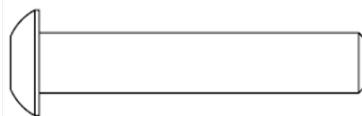
3/8" Washer
Qty 20



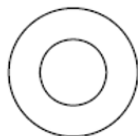
3/8"-16 Nylock Nut
Qty 4



3/8"-16*6 BHCS
Qty 4



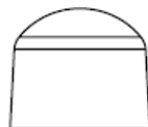
1/2"-13*4 3/4" BHCS
Qty 2



1/2" Washer
Qty 4



1/2"-13 Nylock Nut
Qty 2



End Caps
Qty 4

INSPECTION:

PRIOR TO ASSEMBLY, verify that all package contents have been received in good condition. If components are damaged or missing, contact your provider immediately. DO NOT use substitute parts or assemble the while missing parts.

Failure to take care of your product may decrease the life of your product and increase maintenance.

Always service the product at the required intervals.

INITIAL INSPECTION

- Inspection of All Components - receipt of trapeze
- Check components for obvious damage
- Inspect welds for any cracks or obvious issues
- Verify hardware content and quantity

RECOMMENDED INSPECTION CRITERIA

Quarterly Inspection

- Inspect all welds for cracks
- Inspect all fasteners for looseness and wear. Replace or tighten as necessary
- Check handle support strap for wear and damage
- Check for proper function

Semi-Annual Inspection

- Perform all Quarterly inspections
- Ensure no tubes are bent

Annual Inspection

- Perform all Semi-Annual inspections
- Inspect fasteners for wear or damage

MAINTENANCE PROTOCOL

- Carry out all adjustment and cleaning procedures specified.

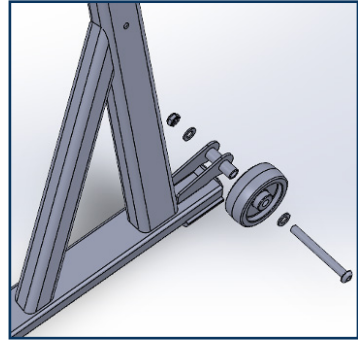
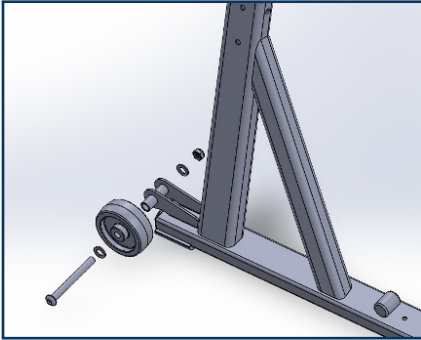


WARNING

Before doing any repairs or maintenance to the product, read all instructions, cautions, and warnings. The repairs should be done by a skilled technician.

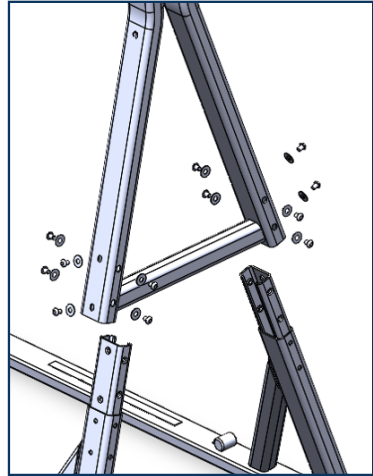
STEP 3

Attach the castor to left and right main frame legs separately and secure them with two 1/2-13*4 3/4" bolts, four 1/2" washers and two 1/2" locknuts.



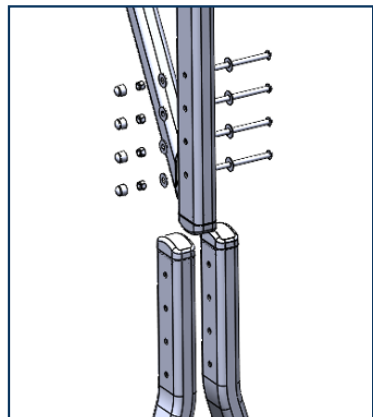
STEP 4

Insert middle section to left and right support brackets on main frame legs and secure them with twelve 3/8-16*1 1/2" bolts, and twelve 3/8" washers.



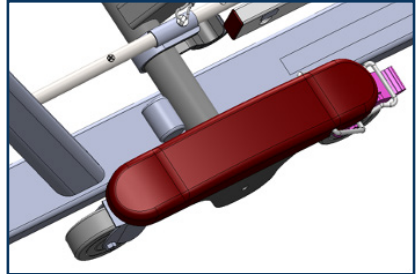
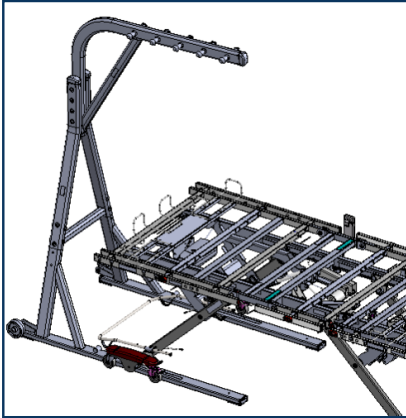
STEP 5

Insert the boom into middle section and secure them with four 3/8-16*6" bolts, eight 3/8" washers and four 3/8" locknuts, then place the end cap onto nut.



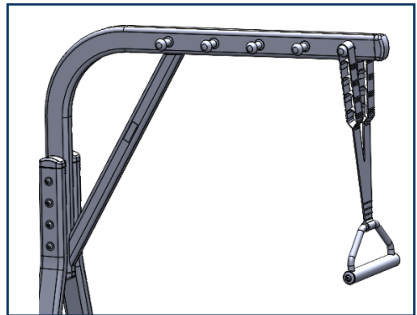
STEP 6

Insert the trapeze under head of bed, the distance between head of bed and trapeze can be adjusted based on user's need. The minimum distance will be reached when the stop on trapeze hit the round tube on the bed, and in this case, the trapeze is not allowed to move forward anymore.



STEP 7

After steps 3-6 are done, the handle and sling assembly can be placed to suitable position based on user's need as the bed is lifting to any height.



CARE AND MAINTENANCE

Cleaning Instructions

- Clean the equipment with soap and warm water.
- Solvents, alcohol, or petroleum should not be used on the device.
- Make sure all parts are dry before using or storing.

NOTE:

THIS PRODUCT IS NOT COMPATIBLE WITH WASHDOWN TUNNELS

CAUTION

Equipment, property DAMAGE or user INJURY can occur during maintenance.

WARRANTY

This product is guaranteed for a 2-year period from the date of delivery to the original owner to be free of any defects in materials and workmanship, under normal use and service.

This 10-year warranty includes mechanical parts and components. Welds are covered under limited lifetime of 10-year warranty of the product. Steel structural components are covered under the 10-year warranty from the date of delivery.

Damage caused by inappropriate environmental conditions, mistreatment or failure to maintain the product in agreement with user and service instructions is not covered under warranty.

Any change, adjustments, or repair unless performed by anyone other than an authorized technician will void the warranty.

Parts

This product may contain parts that wear from normal use. Some components are not covered under the 2-year warranty but do fall under the 90-day warranty. Drive DeVilbiss Healthcare's responsibility under this warranty is limited to supplying replacement parts, servicing or replacing, at its option.

Warranty replacement parts are covered by the warranty until the product's 2-year warranty period expires. For warranty replacement, Drive DeVilbiss Healthcare may request that broken parts be sent back to them for evaluation. If applicable, a credit will be issued only after the evaluation.

Servicing

Service is only to be performed by authorized service personnel. If unauthorized service is performed on any components the warranty is void.

This warranty is extended to the original purchaser of the equipment.

*Weld lifetime defined as 10 years

CORRECT DISPOSAL OF THIS PRODUCT

- Many components of this product may be recycled.
- Please dispose of non-recyclable items properly.

This marking indicates that this product should not be disposed with other household wastes. To prevent possible harm to the environment or human health from uncontrolled waste disposal, recycle it responsibly to promote the sustainable reuse of material resources

drive[™]

© 2022 Medical Depot, Inc. All rights reserved.
Drive is a trademark of Medical Depot, Inc.
Port Washington N.Y. 11050 USA
Made in China