

# Wall Adjustable Sphygmomanometer



## Assembly Instructions

©2022 Medline Industries, LP

All rights reserved.

Medline is a registered trademark of Medline Industries, LP.

**[www.medline.com](http://www.medline.com)**

Manufactured for: Medline Industries, LP, Three Lakes Drive,  
Northfield, IL 60093 USA Made in China

**1-800-MEDLINE** V1 RF22CMN

# Instructions for Your Adjustable Sphygmomanometer

Your Adjustable Sphygmomanometer should be adjusted when the needle is not resting in the zero square. To adjust the gauge, follow the procedure listed below:

1. Separate the cuff tubing from the stem of the gauge.
2. Locate the small adjusting screwdriver (provided with your original purchase).
3. Slowly insert the screwdriver into the stem (where the cuff tubing was removed) until resistance is felt. (Fig1)
4. Slowly turn the screwdriver until it engages with the adjusting mechanism. (Fig2)
5. Once the screwdriver has engaged with the adjusting mechanism, the needle will move when the screwdriver is turned.
6. Turn the screwdriver until the needle is centered in the zero square. (Fig3)
7. Remove the screwdriver and reattach the cuff tubing to the gauge stem.

**NOTE:** Zeroing the needle **DOES NOT** guarantee that the gauge is calibrated.

Calibration can only be guaranteed when verified against a calibrated mercury column. Most gauges are calibrated when the needle is resting in the zero square.

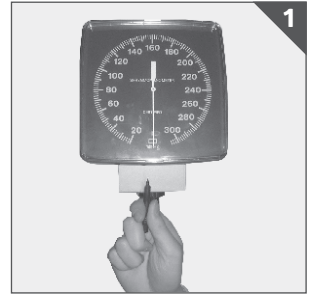


Figure 1

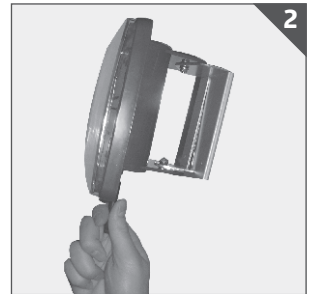


Figure 2

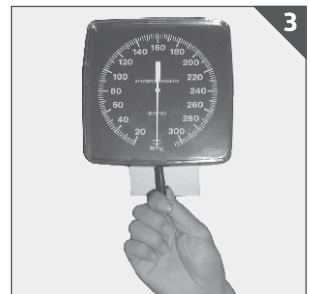
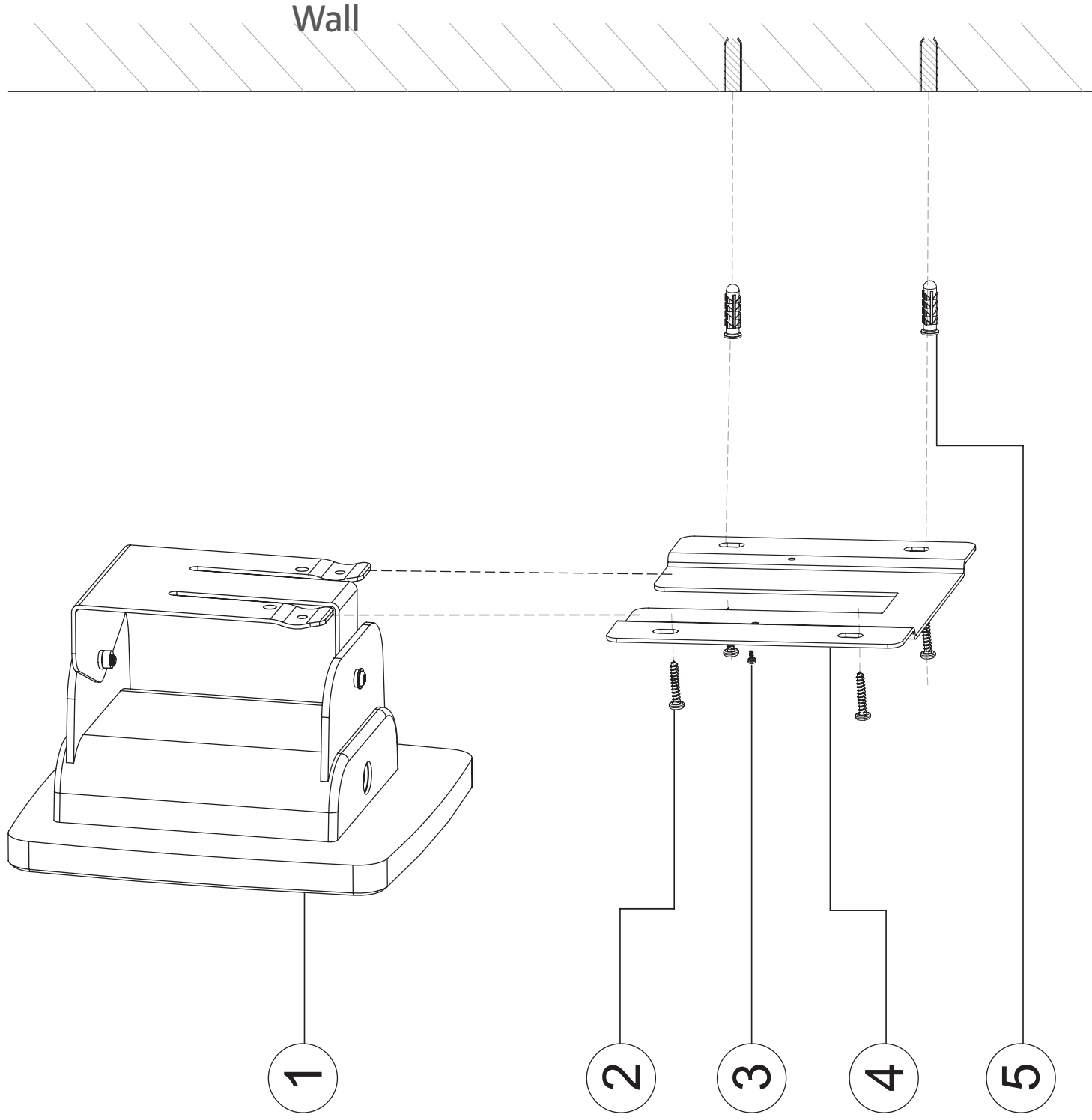


Figure 3



- ① Aneroid sphygmomanometer x 1
- ② Screw x 4
- ③ Lock screw (M3) x 2
- ④ Bracket x 1
- ⑤ Anchor x 4

1. Drill four holes into the wall.
2. Insert ⑤ anchor into the wall.
3. Attach ④ bracket on th the wall with ② screw.
4. Insert ① Aneroid Sphygmomanometer into ④ bracket.
5. Use ③ lock screw as an additional security measure against theft.