

Transport Chair, Wheelchair, Homecare Bed Parts Guide

Everything you need to keep mobility moving, comfort supported, and care uninterrupted.



Repair.
Replace.
Restore.

There's no time for downtime.

This guide is designed to help you quickly identify and order the right replacement parts for transport chairs, wheelchairs and homecare beds. From side rails and casters to armrests, wheels, footplates and upholstery, you'll find all the components you need to maintain safety, comfort, and performance—so patients can stay mobile, supported, and cared for. Each section is organized by component to simplify selection and reduce downtime.



Efficiency

With 50+ US distribution centers and our MedTrans fleet of 2,000 trucks, we offer next-day delivery to 95% of US customers, including settings across the healthcare continuum.



Value

We're dedicated to improving clinical, financial and operational outcomes for our customers. Our deep portfolio of 335,000+ products meets every preference and need for every chair, cost effectively.



Reliability

We're the largest medical-surgical manufacturer and supply chain provider in the US. Our investments in infrastructure, people and technology ensure you get what you need, when you need it.

What's
inside:

Transport Chairs 4

Basic Steel with 8" Wheels	4
Aluminum with 8" Rear Wheels	8
Aluminum with 12" Rear Wheels	10
Ultralight	12
Bariatric Steel	14
Bariatric Steel with Dual Brakes	16
Ultralight Bariatric	18
Translator	20

Wheelchairs 22

Guardian K1	22
Guardian K2	26
Guardian K3	28
Guardian K4	32
Guardian Extra-Wide	34
Guardian Recliner	36
Guardian Extra Wide Recliner	38
Excel 2000	40
Excel Extra-Wide	44
Shuttle Bariatric	48
Excel Recliner	50
K4 Lightweight	52
Hybrid 2	56
Pediatric Vinyl	58

Homecare Beds 60

Basic Homecare Beds	60
MedLite Homecare Beds	62
Bariatric Homecare Bed	64
Lightweight Bariatric Homecare Bed	66



Basic Steel with 8" Wheels

Part No.	Item No.	Description	Pkg.	MDS808200
Arm Rest				
1	WCA806910NYL	Armrest Pad, Full-Length	1 ea	•
Upper Handle				
2	WCA806909	Handgrip	1 pr	•
Upholstery				
3	WCA808921	Seat Upholstery, Nylon, 19"	1 ea	•
NID*	WCA806975	Upholstery Hardware Set	Set	•
Rear Wheel				
4	WCA8089451	Rear Wheel with Bearing and Axle	1 ea	•
Front Casters				
5	WCA8069301	Front Caster with Bearings	1 ea	•
6	WCA806935PR	Bearings, Front Caster	1 pr	•
6	WCA806933	Axle and Hardware, Front Caster	1 ea	•
6	WCA806950PR	Stem Bearings, Front Caster	1 pr	•
6	WCA806995	Dust Cap	1 ea	•
Wheel Lock				
7	WCA808990P	Wheel Lock Assembly	1 pr	•
8	WCA806907	Wheel Lock Handle, Rubber Tip	1 ea	•
Footrests				
9	WCA806965HEMI	Footrest Assembly with Aluminum Footplate	1 pr	•
10	WCA806900	Footplate Assembly, Aluminum	1 pr	•
11	WCA806910	Footrest Mounting Pin	4 ea	•
Accessories				
13	WCABELT	Seatbelt	1 ea	•

MDS808200

19" Wide Seat, Permanent, Full-Length Arms and Swing-Away Footrests, 300-lb Capacity, Chrome

MDS808200KD, MDS808200WAT: No replacement parts available



Basic Steel with 8" Wheels

Part No.	Item No.	Description	Pkg.	MDS808200B	MDS808200BN
Arm Rest					
1	WCAA0013	Armrest Pad, Full Length	1 ea	•	•
Upholstery					
2	WCA200BNSU	Seat Upholstery, Nylon, 17"	1 ea		•
3	WCA200BNBU	Back Upholstery, Nylon, 17"	1 ea		•
2	WCA200BSU	Seat Upholstery, Nylon, 19"	1 ea	•	
3	WCA200BBU	Back Upholstery, Nylon, 19"	1 ea	•	
Casters					
4	WCA200BBRAKE	Wheel Lock Assembly	1 pr	•	•
5	MDS808200RWHL	Rear Caster Assembly, with Bearing, Bolt, Dust Cap	1 ea	•	•
6	WCA200BWHL	Front Caster, with Front Fork, Bearing, Bolt, Dust Cap	1 ea	•	•
Footrests					
7	WCAA0015	Swing-Away Footrests	1 pr	•	•
Accessory					
8	WCABELT	Seatbelt	1 ea	•	•

MDS808200B
19" Wide Seat, Permanent, Full-Length Arms and Swing-Away Footrests, 250-lb. Capacity, Black

MDS808200BN
17" Wide Seat, Permanent, Full-Length Arms and Swing-Away Footrests, 250-lb. Capacity, Black

Part No.	Item No.	Description	Pkg.	MDS808200BP	MDS808200BNP
Arm Rest					
1	WCA200BPARAM	Arm Assembly, Desk Length, Swing-Back	1 pr	•	•
1	WCAA0011	Arm Pad, Desk Length	1 pr	•	•
Upholstery					
2	WCA200BNPSU	Seat Upholstery, Nylon, 17"	1 ea		•
3	WCA200BNPBU	Back Upholstery, Nylon, 17"	1 ea		•
2	WCA200BPSU	Seat Upholstery, Nylon, 19"	1 ea	•	
3	WCA200BPBU	Back Upholstery, Nylon, 19"	1 ea	•	
Wheels					
4	WCA200BBRAKE	Wheel Lock Assembly	1 pr	•	•
5	WCA200BWHL	Front Caster, with Front Fork, Bearing, Bolt, Dust Cap	1 ea	•	•
6	WCA200BPRWHL	Rear Caster Assembly, with Bearing, Bolt, Dust Cap	1 ea	•	•
Footrest					
7	WCAA0015	Swing-Away Footrests	1 pr	•	•
Seatbelt					
NID*	WCABELT	Seatbelt	1 ea	•	•

MDS808200BP
19" Wide Seat, Desk-Length, Swing-Back Arms, Height-Adjustable Push Handles, Medline Basic Steel Transport Chair with Padded Seat

MDS808200BNP
17" Wide Seat, Desk-Length, Swing-Back Arms, Height-Adjustable Push Handles, Medline Basic Steel Transport Chair with Padded Seat



Aluminum with 8" Rear Wheels

Part No.	Item No.	Description	Pkg.	MDS808200ARE	MDS808200ABE
Armrest					
1	WCA808910E	Armrest Pad, Full Length	1 ea	•	•
Upper Handles					
2	WCA806909	Handgrips	1 pr	•	•
3	WCA808906E	Upper Handle with Folding Mechanism, Hardware and Grip, Red	1 pr	•	
3	WCA808905E	Upper Handle with Folding Mechanism, Hardware and Grip, Blue	1 pr		•
Upholstery					
4	WCA808921E	Seat Upholstery, Nylon, 19"	1 ea	•	•
5	WCA808926E	Back Upholstery, Nylon, 19"	1 ea	•	•
Rear Wheels					
6	WCA808945	Rear Wheel with Bearing and Axle	1 ea	•	•
7	WCA806935PR	Bearings, Rear Wheel	1 pr	•	•
Front Casters					
8	WCA808930E	Front Caster, with Bearings	1 ea	•	•
9	WCA808931E	Fork, Front Caster	1 ea	•	•
NID*	WCA806933	Axle and Hardware, Front Caster	1 ea	•	•
NID*	WCA806935PR	Bearings, Front Caster	1 pr	•	•
NID*	WCA806950PR	Stem Bearings, Front Caster	1 pr	•	•
NID*	WCA806995	Dust Cap	1 ea	•	•
Wheel Locks					
10	WCA808990E	Wheel Lock Assembly	1 pr	•	•
11	WCA806907	Wheel Lock Handle, Rubber Tip	1 ea	•	•
Footrest					
12	WCA808965RE	Footrest Assembly, Red	1 pr	•	
12	WCA808965BE	Footrest Assembly, Blue	1 pr		•
13	WCA808901E	Footplate Assembly, Composite	1 pr	•	•
14	WCA806910	Footrest Mounting Pins	4/cs	•	•

MDS808200ARE

19" Wide Seat, Permanent, Full-Length Armrests, Detachable Footrests and 8" Wheels, 300-lb. Capacity, Red

MDS808200ABE

19" Wide Seat, Permanent, Full-Length Armrests, Detachable Footrests and 8" Wheels, 300-lb. Capacity, Blue



Aluminum with 12" Rear Wheels

Part No.	Item No.	Description	Pkg.	MDS808210ABE	MDS808210ARE
Armrest					
1	WCA808910E	Armrest Pad, Full Length	1 ea	•	•
Upper Handles					
2	WCA806909	Handgrips	1 pr	•	•
3	WCA808BHLLR	Upper Handle with Hand Brake, Left, Red	1 ea		•
3	WCA808BHLLB	Upper Handle with Hand Brake, Left, Blue	1 ea	•	
3	WCA808BHRR	Upper Handle with Hand Brake, Right, Red	1 ea		•
3	WCA808BHRRB	Upper Handle with Hand Brake, Right, Blue	1 ea	•	
Upholstery					
4	WCA808921E	Seat Upholstery, Nylon, 19"	1 ea	•	•
5	WCA808926E	Back Upholstery, Nylon, 19"	1 ea	•	•
Rear Wheels					
6	WCA806935DT	Rear Wheel with Bearings	1 ea	•	•
NID*	WCA808935E	Rear Wheel Bearings	1 pr	•	•
Front Casters					
7	WCA808930E	Front Caster, with Bearings	1 ea	•	•
8	WCA808931E	Fork, Front Caster	1 ea	•	•
9	WCA806933DT	Axle and Hardware, Front Caster	1 ea	•	•
NID*	WCA808935E	Bearings, Front Caster	1 pr	•	•
NID*	WCA806950DT	Stem Bearings, Front Caster	1 pr	•	•
NID*	WCA806995	Dust Cap	1 ea	•	
Footrest					
10	WCA808965RE	Footrest Assembly, Red	1 pr		•
10	WCA808965BE	Footrest Assembly, Blue	1 pr	•	
11	WCA808901E	Footplate Assembly, Composite	1 pr	•	•
12	WCA806910	Footrest Mounting Pins	4/cs	•	•

MDS808210ABE

Permanent, Full-Length Arms, Swing-Away Footrests and 12" Wheels, Blue

MDS808210ARE

Permanent, Full-Length Arms, Swing-Away Footrests and 12" Wheels, Red



Ultralight

Part No.	Item No.	Description	Pkg.	MDS808200F3R	MDS808200F3B	MDS808200F3S	MDS808200F3BK
Armrest							
1	WCA806915NYL	Armrest Pad, Desk Length	1 ea	•	•	•	•
Upper Handles							
2	WCA806909	Handgrip	1 pr	•	•	•	•
3	WCA808UHRR	Upper Handles with Folding Mechanism, Red	1 pr	•			
3	WCA808UHBR	Upper Handles with Folding Mechanism, Blue	1 pr		•		
3	WCA808UHSR	Upper Handles with Folding Mechanism, Silver	1 pr			•	
3	WCA808UHKR	Upper Handles with Folding Mechanism, Black	1 pr				•
Upholstery							
4	WCA808926SL	Back Upholstery, Nylon, 19"	1 ea	•	•	•	•
5	WCA808920SL	Seat Upholstery, Nylon, 19"	1 ea	•	•	•	•
Rear Wheels							
6	WCA806935SL	Rear Wheel with Bearing	1 ea	•	•	•	•
7	WCA806951SL	Rear Axle and Hardware	1 ea	•	•	•	•
Front Casters							
8	WCA806930SL	Front Caster with Bearings	1 ea	•	•	•	•
9	WCA806931FT	Fork, Front Wheel	1 ea	•	•	•	•
10	WCA806933SL	Axle and Hardware, Front Caster	1 ea	•	•	•	•
Wheel Locks							
11	WCA808990	Wheel Lock Assembly	1 pr	•	•	•	•
12	WCA808990SL	Wheel Lock Handle, Rubber Tip	1 ea	•	•	•	•
Footrest							
13	WCA806965R	Footrest Assembly, Red	1 pr	•			
13	WCA806965B	Footrest Assembly, Blue	1 pr		•		
13	WCA806965S	Footrest Assembly, Silver	1 pr			•	
13	WCA806965K	Footrest Assembly, Black	1 pr				•
14	WCA806901	Footplate Assembly, Composite	1 pr	•	•	•	•
15	WCA806910	Footrest Mounting Pin	4 ea	•	•	•	•
Accessories							
NID*	WCABELT	Safety Belt	1 ea	•	•	•	•
16	WCACUP	Cup Holder	1 ea	•	•	•	•

MDS808200F3R

19" Wide Seat, Permanent, restaurant-style armrests and Swing-Away Footrests, 8" Wheels, 300-lb. Capacity, Red

MDS808200F3B

19" Wide Seat, Permanent, restaurant-style armrests and Swing-Away Footrests, 8" Wheels, 300-lb. Capacity, Blue

MDS808200F3S

19" Wide Seat, Permanent, restaurant-style armrests and Swing-Away Footrests, 8" Wheels, 300-lb. Capacity, Silver

MDS808200F3BK

19" Wide Seat, Permanent, restaurant-style armrests and Swing-Away Footrests, 8" Wheels, 300-lb. Capacity, Black



Bariatric Steel

Part No.	Item No.	Description	Pkg.	TCB228N21S	TCB228N22S
Armrest					
1	WCATCB01	Arm Assembly, Desk Length, Removable	1 pr	•	
1	WCATCB02	Arm Assembly, Desk Length, Flip-Up	1 pr		•
2	WCAA0011	Armrest Pad, Desk Length, Vinyl	1 ea	•	•
Upholstery					
3	WCATCB05	Back Upholstery, Nylon, Black, 22"	1 ea	•	•
4	WCATCB04	Seat Upholstery, Nylon, Black, 22"	1 ea	•	•
Wheels					
5	WCATCB06	Front Caster, with Front Fork, Bearing, Bolt, Dust Cap	1 ea	•	•
6	WCATCB07	Rear Caster Assembly, with Bearing, Bolt, Dust Cap	1 ea	•	•
7	WCATCB03	Wheel Lock Assembly	1 pr	•	•
Footrest					
8	WCATCB08	Swing-Away Footrest	1 pr	•	•

TCB228N21S

Permanent, Full-Length Arms, Swing-Away Footrests and 12" Wheels, Blue

TCB228N22S

Permanent, Full-Length Arms, Swing-Away Footrests and 12" Wheels, Red



Bariatric Steel with Dual Brakes

Part No.	Item No.	Description	Pkg.	MDS80822B
Armrest				
1	WCA806915BLK	Armrest Pad, Desk Length	1 ea	•
Hand Brake				
2	WCAFP22BRAKE	Brake Handle with Cable	1 pr	•
3	WCA806909	Handgrips		
Upholstery				
4	WCA806922FP	Seat and Back Upholstery Set, 22"	Set	•
Rear Wheels				
5	WCA806935FP	Rear Wheel with Bearing	1 ea	•
6	WCA806951FP	Rear Axle and Hardware	1 ea	•
Front Casters				
7	WCA806622FP	Front Caster, with Bearings	1 ea	•
8	WCA806995	Dust Cap	1 ea	•
Wheel Lock				
9	WCA808990FP1	Wheel Lock Assembly	1 pr	•
Footrest				
10	WCA806822R	Footrest Assembly, Red	1 pr	•
11	WCA806901	Footplate Assembly, Composite	1 pr	•
12	WCA806910	Footrest Mounting Pins	4/cs	•
Seatbelt				
NID*	WCABELTFP	Safety Belt	1 ea	•
Accessories				
NID*	WCAFPTIP	Anti-Tippers	1 ea	•
NID*	WCACUP	Cup Holder	1 ea	•

MDS80822B

22" Wide Seat, Removable, Desk-Length Arms and Swing-Away Footrests, 500-lb. Capacity



Ultralight Bariatric

Part No.	Item No.	Description	Pkg.	MDS808200BAR
Armrest				
1	WCA806910BLK	Armrest Pad, Full Length	1 ea	•
Upper Handles				
2	WCA806909	Handgrips	1 pr	•
3	WCAFPBRAKE	Hand Brakes (No Upper Handles Included)	1 pr	•
4	WCAFPBAR	Push Bar	1 ea	•
5	WCAFPBARK	Push Bar Knob	1 ea	•
Upholstery				
6	WCA806920FP	Seat Upholstery, Vinyl	1 ea	•
7	WCA806926FP	Back Upholstery, Vinyl	1 ea	•
Rear Wheels				
8	WCA806935FP	Rear Wheel with Bearing	1 ea	•
9	WCA806951FP	Rear Axle and Hardware	1 ea	•
Front Casters				
10	WCA806930FP	Front Caster, with Bearings	1 ea	•
11	WCA806933FP	Axle, Front Caster	1 ea	•
Wheel Lock				
12	WCA808990FP1	Wheel Lock Assembly	1 pr	•
Legrests				
13	WCA806985R	Elevating Legrest, Red	1 pr	•
14	WCA806901	Footplate Assembly, Composite	1 pr	•
15	WCA806918BLK	Calf Pad	1 ea	•
16	WCA806985PB	Pivot Bolt, Elevating Legrest	1 ea	•
17	WCA806910	Legrest Mounting Pins	4/cs	•
Accessories				
NID*	WCABELTFP	Safety Belt	1 ea	•
18	WCAFP TIP	Anti-Tippers	1 pr	•
19	WCACUP	Cup Holder	1 ea	•

MDS808200BAR

22" Wide Seat, Full-Length Arms and Swing-Away Footrests,
400-lb. Capacity



Translator

Part No.	Item No.	Description	Pkg.	MDS808200TRR	MDS808200TR
Armrest					
1	WCA806915NYL	Armrest Pad, Desk Length	1 ea	•	•
Upper Handles					
2	WCATR001	Hand Brake with Cable Assembly, Blue	1 pr		•
2	WCATR001RED	Hand Brake with Cable Assembly, Red	1 pr	•	
3	WCATR007	Knob and Bolt for Holding Back Canes to Frame	1 ea	•	•
Upholstery					
4	WCATR002	Backrest	1 ea	•	•
NID*	WCATR003	Backrest Pin	1 ea	•	•
5	WCATR008	Seat Upholstery	1 ea	•	•
Rear Wheels					
6	WCATR004	Rear Wheel with Bearing	1 ea	•	•
Front Casters					
7	WCATR005	Front Caster with Fork	1 ea	•	•
Footrests and Legrests					
8	WCATR006	Footrest Assembly, Blue	1 pr		•
8	WCATR006RED	Footrest Assembly, Red	1 pr	•	
9	WCA806910	Footrest Mounting Pins	4/cs	•	•
10	WCATR010	Left Footrest Clip	1 ea	•	•
10	WCATR011	Right Footrest Clip	1 ea	•	•
Seatbelt					
NID*	WCATR015	Seat Belt	1 ea	•	•
Accessories					
11	WCATR013	Under-the-Seat Carrying Case	1 ea	•	•
12	WCATR014	Cup Holder	1 ea	•	•

MDS808200TR

19" Wide Seat, Combination Transport Chair and Rollator, Blue

MDS808200TRR

19" Wide Seat, Combination Transport Chair and Rollator, Red



Guardian® K1

Part No.	Item No.	Description	Pkg.	K1166N22S	K1166N22E	K1186N22S	K1186N22E	K118EN22E	K1186N13S	K1186N13E	K1206N22S	K1206N22E
Armrest												
1	WCAA0001	Arm Assembly, Desk Length, Removable	1 pr									
1	WCAA0002	Arm Assembly, Full, Removable	1 pr									
1	WCAA0006	Arm Assembly, Desk Length, Swing-Back	1 pr	•	•	•	•	•			•	•
2	WCAA0011	Armrest Pad, Desk Length, Vinyl	1 ea	•	•	•	•	•			•	•
2	WCAA0013	Armrest Pad, Full Length, Vinyl	1 ea						•	•		
Upholstery												
3	WCAA0023	Back Upholstery, Vinyl, 16"	1 ea									
3	WCAA0025	Back Upholstery, Vinyl, 18"	1 ea									
3	WCAA0027	Back Upholstery, Vinyl, 20"	1 ea									
3	WCAA0029	Back Upholstery, Nylon, 16"	1 ea	•	•							
3	WCAA0031	Back Upholstery, Nylon, 18"	1 ea			•	•	•	•	•		
3	WCAA0033	Back Upholstery, Nylon, 20"	1 ea								•	•
4	WCAA0024	Seat Upholstery, Vinyl, 16"	1 ea									
4	WCAA0026	Seat Upholstery, Vinyl, 18"	1 ea									
4	WCAA0028	Seat Upholstery, Vinyl, 20"	1 ea									
4	WCAA0030	Seat Upholstery, Nylon, 16"	1 ea	•	•							
4	WCAA0032	Seat upholstery, Nylon, 18"	1 ea			•	•	•	•	•		
4	WCAA0034	Seat Upholstery, Nylon, 20"	1 ea								•	•
NID*	WCAA0060	Seat Depth Extender, Nylon, 18"	1 ea			•	•	•	•	•		
NID*	WCAA0061	Seat Depth Extender, Nylon, 20"	1 ea								•	•
NID*	WCAA0063	Seat Depth Extender, Vinyl, 18"	1 ea									
NID*	WCAA0064	Seat Depth Extender, Vinyl, 20"	1 ea									
NID*	WCAA0035	Upholstery Hardware Set	Kit	•	•	•	•	•	•	•	•	•
Rear Wheels												
5	WCAA0057	Rear Wheel 9 Spoke, with Handrim	1 ea	•	•	•	•	•	•	•	•	•
NID*	WCAA0146	Axle and Nut, Rear Wheel	1 ea	•	•	•	•	•	•	•	•	•
NID*	WCAA0056	Rear Wheel Dust Cap	1 ea	•	•	•	•	•	•	•	•	•
Front Casters												
6	WCAA0050	Front Fork, with Bolt and Nut	1 ea	•	•	•	•	•	•	•	•	•
7	WCAA0051	Front Caster with Bearing	1 ea	•	•	•	•	•	•	•	•	•
NID*	WCAA0054	Axle Bolt, Front	1 ea	•	•	•	•	•	•	•	•	•
NID*	WCAA0055	Caster Cap, Front	1 ea	•	•	•	•	•	•	•	•	•
Wheel Locks												
8	WCAA0065	Wheel Lock Assembly	1 pr	•	•	•	•	•	•	•	•	•
Footrest and Legrest												
9	WCAA0015	Footrest Assembly, Swing Sway	1 pr	•		•			•		•	
9	WCAA0020	Elevating Legrest Assembly, with Calf Pads	1 pr		•		•	•		•		•

Guardian® K1

K1166N22S

16" Wide Seat, Nylon, Swing-Back Desk-Length Arms and Swing-Away Footrests

K1166N22E

16" Wide Seat, Nylon, Swing-Back Desk-Length Arms and Elevating Leg Rests

K1186N22S

18" Wide Seat, Nylon, Swing-Back Desk-Length Arms and Swing-Away Footrests

K1186N22E

18" Wide Seat, Nylon, Swing-Back Desk-Length Arms and Elevating Leg Rests

K118EN22E

18" Wide Seat, Nylon, Swing-Back Desk-Length Arms and Elevating Leg Rests, Includes 2" Seat Depth Extender

K1186N13S

18" Wide Seat, Nylon, Full-Length Arms and Swing-Away Footrests

K1186N13E

18" Wide Seat, Nylon, Full-Length Arms and Elevating Leg Rests

K1206N22S

20" Wide Seat, Nylon, Swing-Back Desk-Length Arms and Swing-Away Footrests

K1206N22E

20" Wide Seat, Nylon, Swing-Back Desk-Length Arms and Elevating Leg Rests

K1166V22S

16" Wide Seat, Vinyl, Swing-Back Desk-Length Arms and Swing-Away Footrests

K1166V22E

16" Wide Seat, Vinyl, Swing-Back Desk-Length Arms and Elevating Leg Rests

K1166V11E

16" Wide Seat, Basic Vinyl, Swing-Back Desk Length Arms and Elevating Leg Rests

K1186V22S

18" Wide Seat, Vinyl, Swing-Back Desk-Length Arms and Swing-Away Footrests

K1186V22E

18" Wide Seat, Vinyl, Swing-Back Desk-Length Arms and Elevating Leg Rests

K1186V11S

18" Wide Seat, Vinyl, Full-Length Arms and Swing-Away Footrests

K1186V11E

18" Wide Seat, Vinyl, Full-Length Arms and Elevating Leg Rests

K1206V22S

20" Wide Seat, Vinyl, Swing-Back Desk-Length Arms and Swing-Away Footrests

K1206V22E

20" Wide Seat, Vinyl, Swing-Back Desk-Length Arms and Elevating Leg Rests

K1206V11E

20" Wide Seat, Vinyl, Full-Length Arms and Elevating Leg Rests



Guardian® K2

Part No.	Item No.	Description	Pkg.	K2166N42E1	K2186N42E1	K2206N42E1
Armrest						
1	WCAA0062	Arm Assembly, Full Length, Swing-Back, Height-Adjustable	1 pr	•	•	•
2	WCAA0013	Armrest Pad, Full Length, Vinyl	1 ea	•	•	•
Upholstery						
3	WCAA0029	Back Upholstery, Nylon, 16"	1 ea	•		
3	WCAA0031	Back Upholstery, Nylon, 18"	1 ea		•	
3	WCAA0033	Back Upholstery, Nylon, 20"	1 ea			•
4	WCAA0030	Seat Upholstery, Nylon, 16"	1 ea	•		
4	WCAA0032	Seat Upholstery, Nylon, 18"	1 ea		•	
4	WCAA0034	Seat Upholstery, Nylon, 20"	1 ea			•
4	WCAA0060	Seat Depth Extender, 18"	1 ea		•	
NID*	WCAA0061	Seat Depth Extender, 20"	1 ea			•
NID*	WCAA0035	Upholstery Hardware Set	Kit	•	•	•
Rear Wheels						
5	WCAA0057	Rear Wheel 9 Spoke, with Handrim	1 ea	•	•	•
NID*	WCAA0146	Axle and Nut, Rear Wheel	1 ea			
NID*	WCAA0056	Rear Wheel Dust Cap	1 ea	•	•	•
Front Casters						
6	WCAA0050	Front Fork, with Bolt and Nut	1 ea	•	•	•
7	WCAA0051	Front Caster with Bearing	1 ea	•	•	•
NID*	WCAA0054	Axle Bolt, Front	1 ea	•	•	•
NID*	WCAA0055	Caster Cap, Front	1 ea	•	•	•
Wheel Locks						
8	WCAA0065	Wheel Lock Assembly	1 pr	•	•	•
Legrest						
9	WCAA0020	Elevating Legrest Assembly, with Calf Pads	1 pr	•	•	•

Item No.	Description
Universal Accessories	
WCAA0070	Anti-Tipper
MDS85157PR	Brake Extender
WCA6200	Cup Holder
WCABELT	Seat Belt
WCA806991	Tinnerman Nut
WCA6100	O2 Holder (Nylon)
MDS85181U	O2 Holder (Steel)
MDS85183	IV Pole
MDS85190	O2/IV Combo
MDS85196	Anti-Fold Device
MDS85197A	Overhead Anti-Theft Device

K2166N42E1

16" Wide Seat, Nylon, Full-Length Height-Adjustable Arms and Elevating Leg Rests, Ships in Hemi-Height and also includes Anti-Tippers, Brake Extenders and Seat Belt

K2186N42E1

18" Wide Seat, Nylon, Full-Length Height-Adjustable Arms and Elevating Leg Rests, Ships in Hemi-Height and also includes Anti-Tippers, Brake Extenders and Seat Belt

K2206N42E1

20" Wide Seat, Nylon, Full-Length Height-Adjustable Arms and Elevating Leg Rests, Ships in Hemi-Height and also includes Anti-Tippers, Brake Extenders and Seat Belt



Guardian® K3

Part No.	Item No.	Description	Pkg.	K3166N24S	K3166N24E	K3186N24S	K3186N24E	K3206N24S	K3206N24E	K3166N34S	K3166N34E	K3186N34S	K3186N34E	K3206N34S	K3206N34E	K3166N14S
Armrest																
1	WCAA0152	Arm Assembly, Desk-Length, Detachable and Swing-Back	1 pr	•	•	•	•	•	•							
1	WCAA0071	Arm Assembly, Full-Length, Detachable and Swing-Back	1 pr													•
1	WCAA0072	Arm Assembly, Desk Length, Height-Adjustable, Detachable and Swing-Back	1 pr							•	•	•	•	•	•	
1	WCAA0074	Arm Assembly, Full Length, Height-Adjustable, Detachable and Swing-Back	1 pr													
2	WCAA0011	Armrest Pad, Desk Length, Vinyl	1 ea	•	•	•	•	•	•	•	•	•	•	•	•	
2	WCAA0013	Armrest Pad, Full Length, Vinyl	1 ea													•
Upholstery																
3	WCAA0085	Back Upholstery, Nylon, 16"	1 ea	•	•			•		•	•					•
3	WCAA0087	Back Upholstery, Nylon, 18"	1 ea			•	•					•	•			
3	WCAA0089	Back Upholstery, Nylon, 20"	1 ea					•	•					•	•	
4	WCAA0086	Seat Upholstery, Nylon, 16"	1 ea	•	•					•	•					•
4	WCAA0088	Seat Upholstery, Nylon, 18"	1 ea			•	•					•	•			
4	WCAA0090	Seat Upholstery, Nylon, 20"	1 ea					•	•					•	•	
NID*	WCAA0035	Upholstery Hardware Set	Kit	•	•	•	•	•	•	•	•	•	•	•	•	•
NID*	WCAA0066	Seat Depth Extender, Nylon, 16"	1 ea	•	•					•	•					•
NID*	WCAA0067	Seat Depth Extender, Nylon, 18"	1 ea			•	•					•	•			
NID*	WCAA0068	Seat Depth Extender, Nylon, 20"	1 ea	•				•	•					•	•	
Rear Wheels																
5	WCAA0057	Rear Wheel 9 Spoke, with Handrim	1 ea		•	•	•	•	•	•	•	•	•	•	•	•
NID*	WCAA0146	Axle and Nut, Rear Wheel	1 ea	•	•	•	•	•	•	•	•	•	•	•	•	•
NID*	WCAA0056	Rear Wheel Dust Cap	1 ea	•	•	•	•	•	•	•	•	•	•	•	•	•
Front Casters																
7	WCAA0051	Front Caster with Bearing	1 ea	•	•	•	•	•	•	•	•	•	•	•	•	•
6	WCAA0103	Front Fork	1 ea	•	•	•	•	•	•	•	•	•	•	•	•	•
NID*	WCAA0105	Fork Stem Bearing	1 ea	•	•	•	•	•	•	•	•	•	•	•	•	•
NID*	WCAA0054	Axle Bolt, Front	1 ea	•	•	•	•	•	•	•	•	•	•	•	•	•
NID*	WCAA0055	Caster Cap, Front	1 ea	•	•	•	•	•	•	•	•	•	•	•	•	•
Wheel Locks																
8	WCAA0065	Wheel Lock Assembly	1 pr	•	•	•	•	•	•	•	•	•	•	•	•	•
Footrests and Legrests																
9	WCAA0015	Footrest Assembly, Swing Sway	1 pr	•		•			•	•		•		•		•
9	WCAA0020	Elevating Legrest Assembly, with Calf Pads	1 pr		•		•	•			•		•		•	
10	WCAA0018	Leg/footrest Mounting Pins	Set	•	•	•	•	•	•	•	•	•	•	•	•	•

Guardian® K3

K3166N24S

16" Wide Seat, Desk-Length Arms and Swing-Away Footrests

K3166N24E

16" Wide Seat, Desk-Length Arms and Elevating Leg Rests

K3186N24S

18" Wide Seat, Desk-Length Arms and Swing-Away Footrests

K3186N24E

18" Wide Seat, Desk-Length Arms and Elevating Leg Rests

K3206N24S

20" Wide Seat, Desk-Length Arms and Swing-Away Footrests

K3206N24E

20" Wide Seat, Desk-Length Arms and Elevating Leg Rests

K3166N34S

16" Wide Seat, Height-Adjustable Desk-Length Arms and Swing-Away Footrests

K3166N34E

16" Wide Seat, Height-Adjustable Desk-Length Arms and Elevating Leg Rests

K3186N34S

18" Wide Seat, Height-Adjustable Desk-Length Arms and Swing-Away Footrests

K3186N34E

18" Wide Seat, Height-Adjustable Desk-Length Arms and Elevating Leg Rests

K3206N34S

20" Wide Seat, Height-Adjustable Desk-Length Arms and Swing-Away Footrests

K3206N34E

20" Wide Seat, Height-Adjustable Desk-Length Arms and Elevating Leg Rests

K3166N14S

16" Wide Seat, Full-Length Arms and Swing-Away Footrests

K3166N14E

16" Wide Seat, Full-Length Arms and Elevating Leg Rests

K3186N14S

18" Wide Seat, Full-Length Arms and Swing-Away Footrests

K3186N14E

18" Wide Seat, Full-Length Arms and Elevating Leg Rests

K3206N14S

20" Wide Seat, Full-Length Arms and Swing-Away Footrests

K3206N14E

20" Wide Seat, Full-Length Arms and Elevating Leg Rests

K3166N44S

16" Wide Seat, Height-Adjustable Full-Length Arms and Swing-Away Footrests

K3166N44E

16" Wide Seat, Height-Adjustable Full-Length Arms and Elevating Leg Rests

K3186N44S

18" Wide Seat, Height-Adjustable Full-Length Arms and Swing-Away Footrests

K3186N44E

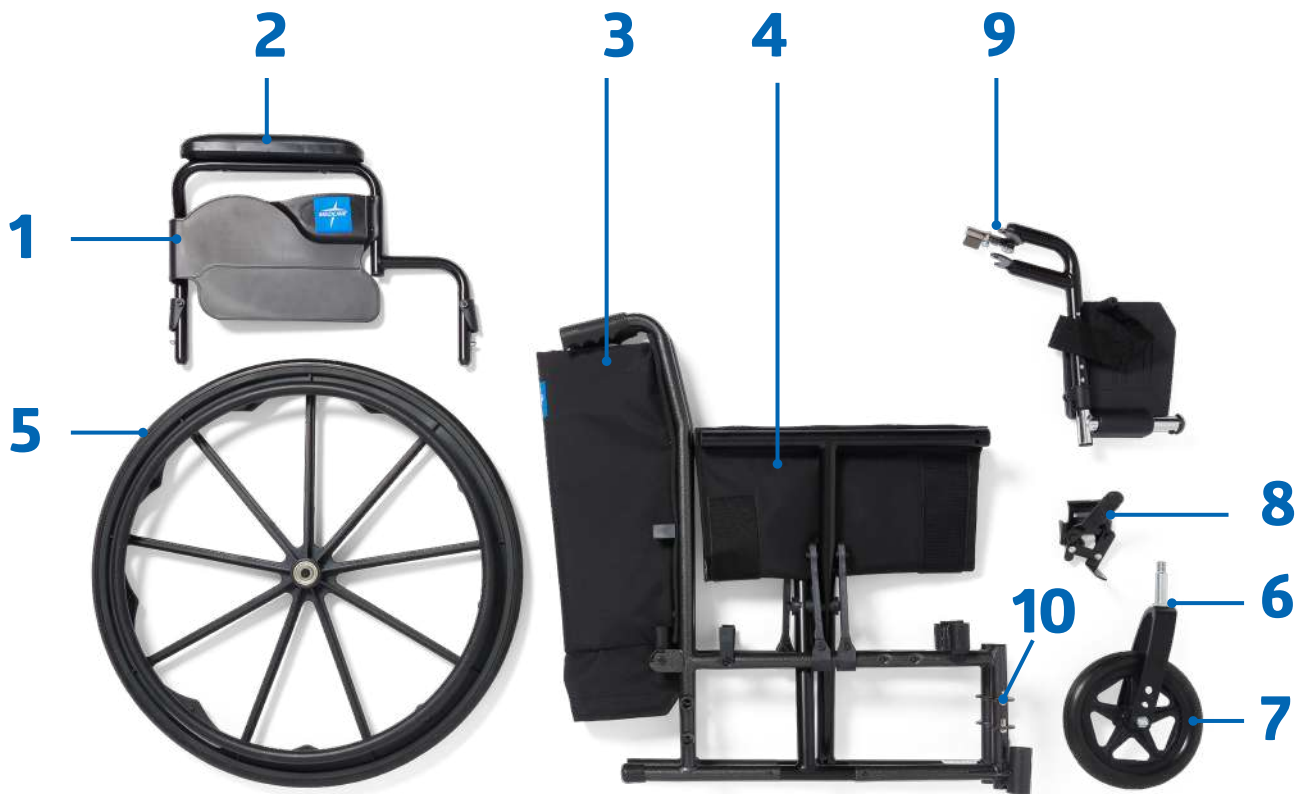
18" Wide Seat, Height-Adjustable Full-Length Arms and Elevating Leg Rests

K3206N44S

20" Wide Seat, Height-Adjustable Full-Length Arms and Elevating Leg Rests

K3206N44E

20" Wide Seat, Height-Adjustable Full-Length Arms and Elevating Leg Rests



Guardian® K4

Part No.	Item No.	Description	Pkg.	K4166N24S	K4186N24S	K4206N24S	K4166N24E	K4186N24E	K4206N24E	K4186N34S	K4186N34E	K4166N44E1	K4186N44E1	K4206N44E1
Armrest														
1	WCAA0152	Arm Assembly , Desk-Length, Detachable and Swing-Back	1 pr	•	•	•	•	•	•					
1	WCAA0071	Arm Assembly, Full-Length, Detachable and Swing-Back	1 pr	•	•	•	•	•	•	•	•	•	•	•
1	WCAA0072	Arm Assembly, Desk Length, Height-Adjustable, Detachable and Swing-Back	1 pr							•	•			
1	WCAA0074	Arm Assembly, Full Length, Height-Adjustable, Detachable and Swing-Back	1 pr									•	•	•
2	WCAA0011	Armrest Pad, Desk Length, Vinyl	1 ea	•	•	•	•	•	•	•	•			
2	WCAA0013	Armrest Pad, Full Length, Vinyl	1 ea									•	•	•
Upholstery														
3	WCAA0198	Back Upholstery, Nylon, 16"	1 ea	•			•					•		
3	WCAA0199	Back Upholstery, Nylon, 18"	1 ea		•			•		•	•		•	
3	WCAA0200	Back Upholstery, Nylon, 20"	1 ea			•								•
4	WCAA0086	Seat Upholstery, Nylon, 16"	1 ea	•			•					•		
4	WCAA0088	Seat Upholstery, Nylon, 18"	1 ea					•		•	•		•	
4	WCAA0090	Seat Upholstery, Nylon, 20"	1 ea						•					•
NID*	WCAA0035	Upholstery Hardware Set	Kit	•	•	•	•	•	•	•	•	•	•	•
NID*	WCAA0214	Seat Depth Extender, Nylon, 16"	1 ea	•			•					•		
NID*	WCAA0215	Seat Depth Extender, Nylon, 18"	1 ea		•			•		•	•		•	
NID*	WCAA0216	Seat Depth Extender, Nylon, 20"	1 ea			•			•					•
Rear Wheels														
5	WCAAK4QRASSY	Wheel Assembly, Rear with Quick Release Axle	Kit	•	•	•	•	•	•	•	•	•	•	•
Front Casters														
6	WCAA0103	Front Fork	1 ea	•	•	•	•	•	•	•	•	•	•	•
7	WCAA0051	Front Caster, with Bearing	1 ea	•	•	•	•	•	•	•	•	•	•	•
NID*	WCAA0105	Fork Stem Bearing	1 ea	•	•	•	•	•	•	•	•	•	•	•
NID*	WCAA0054	Axle Bolt, Front	1 ea	•	•	•	•	•	•	•	•	•	•	•
NID*	WCAA0055	Caster Cap, Front	1 ea	•	•	•	•	•	•	•	•	•	•	•
Wheel Locks														
8	WCAA0065	Wheel Lock Assembly	1 pr	•	•	•	•	•	•	•	•	•	•	•
Footrests and Legrests														
9	WCAA0015	Footrest Assembly, Swing Sway	1 pr	•	•	•				•				
9	WCAA0020	Elevating Legrest Assembly, with Calf Pads	1 pr				•	•	•		•	•	•	•
10	WCAA0018	Leg/footrest Mounting Pins	4/cs	•	•	•	•	•	•	•	•	•	•	•

K4166N24S

16" Wide Wheelchair with Desk-Length Arms and Swing-Away Footrests

K4186N24S

18" Wide Wheelchair with Desk-Length Arms and Swing-Away Footrests

K4206N24S

20" Wide Wheelchair with Desk-Length Arms and Swing-Away Footrests

K4166N24E

16" Wide Wheelchair with Desk-Length Arms and Elevating Footrests

K4186N24E

18" Wide Wheelchair with Desk-Length Arms and Elevating Footrests

K4206N24E

20" Wide Wheelchair with Desk-Length Arms and Elevating Footrests

K4186N34S

18" Wide Wheelchair with Height-Adjustable Desk-Length Arms and Swing-Away Footrests

K4186N34E

18" Wide Wheelchair with Height-Adjustable Desk-Length Arms and Elevating Footrests

K4166N44E1

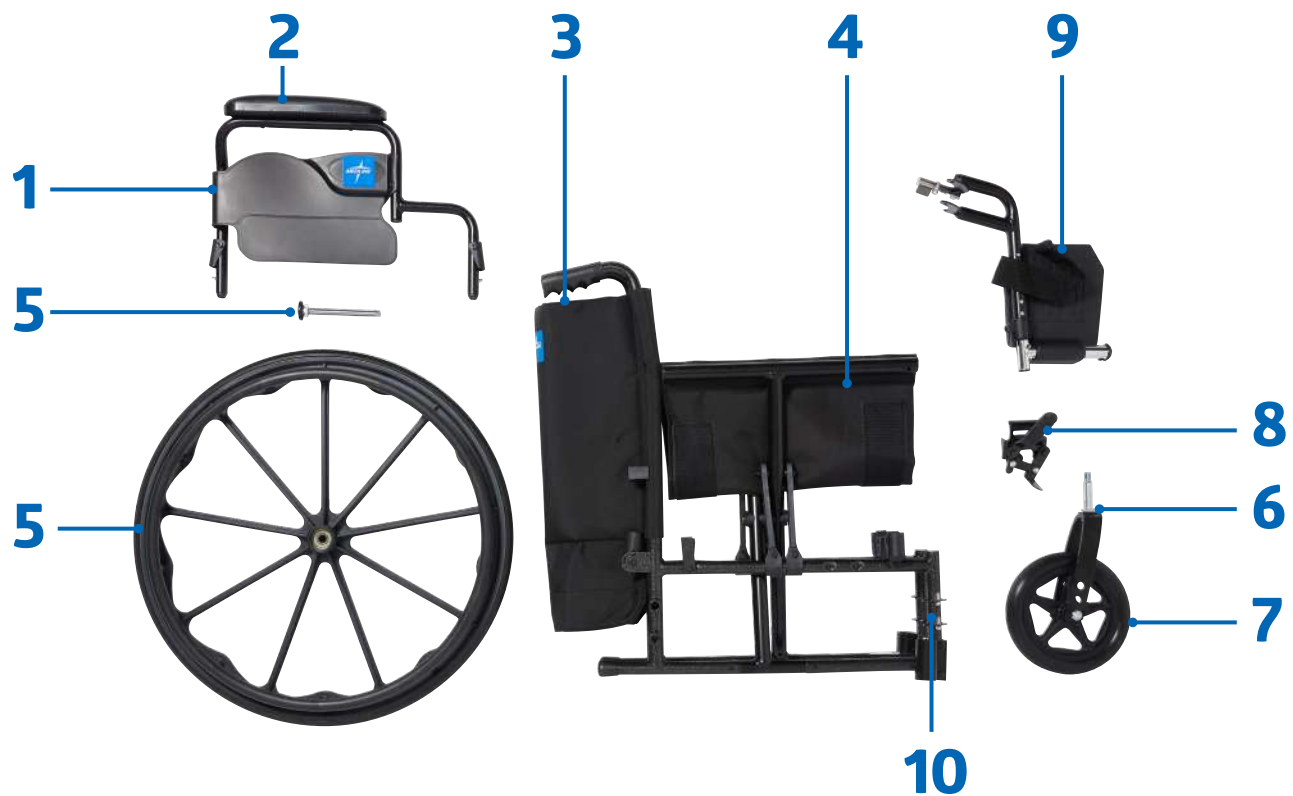
16" Wide Wheelchair with Height-Adjustable Full-Length Arms and Elevating Leg Rests, Includes Seat Belt, Anti-Tippers, Seat Depth Extender and Brake Extenders

K4186N44E1

18" Wide Wheelchair with Height-Adjustable Full-Length Arms and Elevating Leg Rests, Includes Seat Belt, Anti-Tippers, Seat Depth Extender and Brake Extenders

K4206N44E1

20" Wide Wheelchair with Height-Adjustable Full-Length Arms and Elevating Leg Rests, Includes Seat Belt, Anti-Tippers, Seat Depth Extender and Brake Extenders



Item No.	Description
Universal Accessories	
WCAA0069	Anti-Tipper
MDS85157PR	Brake Extender
WCA6200	Cup Holder
WCABELT	Seat Belt
WCA806991	Tinnerman Nut
WCA6100	O2 Holder (Nylon)
MDS85196	Anti-Fold Device

Guardian® Extra-Wide

Part No.	Item No.	Description	Pkg.	KX208V21S	KX208V21E	KX228V21S	KX228V21E	KX248V21S	KX248V21E	KX268V21S	KX268V21E
Armrest											
1	WCAA0168	Arm Assembly, Desk Length, Removable	1 pr	•	•	•	•	•	•	•	•
2	WCAA0011	Armrest Pad, Desk Length, Vinyl	1 ea	•	•	•	•	•	•	•	•
Upholstery											
3	WCAA0153	Back Upholstery, Vinyl, 20"	1 ea	•	•						
3	WCAA0154	Back Upholstery, Vinyl, 22"	1 ea			•	•				
3	WCAA0155	Back Upholstery, Vinyl, 24"	1 ea					•	•		
3	WCAA0156	Back Upholstery, Vinyl, 26"	1 ea							•	•
4	WCAA0157	Seat Upholstery, Vinyl, 20"	1 ea	•	•						
4	WCAA0158	Seat Upholstery, Vinyl, 22"	1 ea			•	•				
4	WCAA0159	Seat Upholstery, Vinyl, 24"	1 ea					•	•		
4	WCAA0160	Seat Upholstery, Vinyl, 26"	1 ea							•	•
NID*	WCAA0035	Upholstery Hardware Set	Kit	•	•	•	•	•	•	•	•
Rear Wheels											
5	WCAA0162	Rear Wheel Assembly, with Handrim	1 ea	•	•	•	•	•	•	•	•
NID*	WCAA0163	Bearing, Rear Wheel	1 ea	•	•	•	•	•	•	•	•
NID*	WCAA0164	Axle Nut and Bolt, Rear Wheel	1 ea	•	•	•	•	•	•	•	•
NID*	WCAA0172	Hubcap, Rear Wheel	1 ea	•	•	•	•	•	•	•	•
Front Casters											
6	WCAA0161	Caster, Front with Bearing	1 ea	•	•	•	•	•	•	•	•
7	WCAA0165	Fork, Front Wheel	1 ea	•	•	•	•	•	•	•	•
NID*	WCAA0055	Caster Cap, Front	1 ea	•	•	•	•	•	•	•	•
Wheel Lock											
8	WCAA0148	Wheel Lock Assembly	1 pr	•	•	•	•	•	•	•	•
Footrest and Legrest											
9	WCAA0170	Footrest Assembly, Swing Sway	1 pr	•		•		•		•	
9	WCAA0171	Elevating Legrest Assembly, with Calf Pads	1 pr		•		•		•		•

KX208V21S

20" Wide Seat, Swing-Away Footrests

KX208V21E

20" Wide Seat, Elevating Leg Rests

KX228V21S

22" Wide Seat, Swing-Away Footrests

KX228V21E

22" Wide Seat, Elevating Leg Rests

KX248V21S

24" Wide Seat, Swing-Away Footrests

KX248V21E

24"-wide Seat, Elevating Leg Rests

KX268V21S

26" Wide Seat, Swing-Away Footrests

KX268V21E

26" Wide Seat, Elevating Leg Rests



Item no.	Description
Universal Accessories	
WCAKXTIP	Anti-Tipper
MDS85157PR	Brake Extender
WCA6200	Cup Holder
WCABELTFP	Seat Belt
WCA806991	Tinnerman Nut
WCA6100	O2 Holder (Nylon)

Guardian® Recliner

Part No.	Item No.	Description	Pkg.	KR168N21E	KR188N21E	KR208N21E	KR188N11E
Armrest							
1	WCAA0137	Arm Assembly, Desk Length, Removable	1 pr	•	•	•	
1	WCAA0138	Arm Assembly, Full, Removable	1 pr				•
2	WCAA0011	Armrest Pad, Desk Length, Vinyl	1 ea	•	•	•	
2	WCAA0013	Armrest Pad, Full Length, Vinyl	1 ea				•
Upholstery							
3	WCAA0127	Back Upholstery, Nylon, 16"	1 ea	•			
3	WCAA0128	Back Upholstery, Nylon, 18"	1 ea		•		•
3	WCAA0129	Back Upholstery, Nylon, 20"	1 ea			•	
4	WCAA0130	Seat Upholstery, Nylon, 16"	1 ea	•			
4	WCAA0131	Seat Upholstery, Nylon, 18"	1 ea		•		•
4	WCAA0132	Seat Upholstery, Nylon, 20"	1 ea			•	
5	WCAA0133	Headrest Assembly with Posts and Upholstery, Nylon, 16"	1 ea	•			
5	WCAA0134	Headrest Assembly with Posts and Upholstery, Nylon, 18"	1 ea		•		•
5	WCAA0135	Headrest Assembly with Posts and Upholstery, Nylon, 20"	1 ea			•	
6	WCAA0136	Headrest Pillow	1 ea	•	•	•	
Rear Wheels							
7	WCAA0057	Rear Wheel 9 Spoke, with Handrim	1 ea	•	•	•	•
NID*	WCAA0146	Axle and Nut, Rear Wheel	1 ea	•	•	•	•
NID*	WCAA0056	Hubcap, Rear Wheel	1 ea	•	•	•	•
Front Casters							
8	WCAA0143	Front Fork with Bolt	1 ea	•	•	•	•
NID*	WCAA0144	Front Caster Bearing	1 ea	•	•	•	•
NID*	WCAA0145	Front Caster Axle Bolt with Nut	1 ea	•	•	•	•
NID*	WCAA0055	Caster Cap, Front	1 ea	•	•	•	•
Wheel Locks							
9	WCAA0148	Wheel Lock Assembly	1 pr	•	•	•	•
10	WCAA0125	Reclining Piston, All Components, Right	1 ea	•	•	•	•
10	WCAA0126	Reclining Piston, All Components, Left	1 ea	•	•	•	•
11	WCAA0149	Release Handle with Cable, Right	1 ea	•	•	•	•
11	WCAA0150	Release Handle with Cable, Left	1 ea	•	•	•	•
12	WCAA0121	Spreader Bar 16"	1 ea	•			
12	WCAA0122	Spreader Bar 18"	1 ea		•		•
12	WCAA0123	Spreader Bar 20"	1 ea			•	
13	WCAA0124	Anti Folding Adjustment Knob	1 ea	•	•	•	•
Footrests and Legrests							
14	WCAA0020	Elevating Legrest Assembly, with Calf Pads	1 pr	•	•	•	•

KR168N21E

16" Wide Seat, Reclining Wheelchair with Desk-Length Arms, Nylon

KR188N21E

18" Wide Seat, Reclining Wheelchair with Desk-Length Arms, Nylon,

KR208N21E

20" Wide Seat, Reclining Wheelchair with Desk-Length Arms, Nylon

KR188N11E

18" Wide Seat, Reclining Wheelchair with Full-Length Arms, Nylon



Item No.	Description
Accessories	
WCAA0151	Anti-Tipper
MDS85157PR	Brake Extender
WCA6200	Cup Holder
WCABELT	Seat Belt
WCA806991	Tinnerman Nut
MDS85196	Anti-Fold Device

Guardian® Extra-Wide Recliner

Part No.	Item No.	Description	Pkg.	KR228V21E	KR248V21E	KR268V21E
Armrest						
1	WCAA0171	Arm Assembly, Desk Length, Removable	1 pr	•	•	•
2	WCAA0011	Armrest Pad, Desk Length, Vinyl	1 ea	•	•	•
Upholstery						
3	WCAA0222	Back Upholstery, Vinyl, 24"	1 ea		•	
3	WCAA0223	Back Upholstery, Vinyl, 26"	1 ea			•
4	WCAA0224	Seat Upholstery, Vinyl, 22"	1 ea	•		
4	WCAA0225	Seat Upholstery, Vinyl, 24"	1 ea		•	
4	WCAA0226	Seat Upholstery, Vinyl, 26"	1 ea			•
5	WCAA0227	Headrest assembly, Vinyl, 22"	1 ea	•		
5	WCAA0228	Headrest assembly, Vinyl, 24"	1 ea		•	
5	WCAA0229	Headrest assembly, Vinyl, 26"	1 ea			•
6	WCAA0230	Headrest Pillow	1 ea	•	•	•
Rear Wheel						
7	WCAA0231	Rear Wheel 8 Spoke, with Handrim	1 ea	•	•	•
Front Casters						
8	WCAA0051	Front Caster, with Bearing	1 ea	•	•	•
9	WCAA0143	Front Fork with Bolt	1 ea	•	•	•
Wheel Lock and Reclining Mechanism/Frame						
10	WCAA0232	Wheel Lock Assembly	1 pr	•	•	•
11	WCAA0233	Reclining Piston, All Components, Right	1 ea	•	•	•
11	WCAA0234	Reclining Piston, All Components, Left	1 ea	•	•	•
12	WCAA0235	Release Handle with Cable, Right	1 ea	•	•	•
12	WCAA0236	Release Handle with Cable, Left	1 ea	•	•	•
13	WCAA0237	Spreader Bar 22"	1 ea	•		
13	WCAA0238	Spreader Bar 24"	1 ea		•	
13	WCAA0239	Spreader Bar 26"	1 ea			
Legrest						
14	WCAA0020	Elevating Legrest Assembly, with Calf Pads	1 pr	•	•	•

KR228V21E

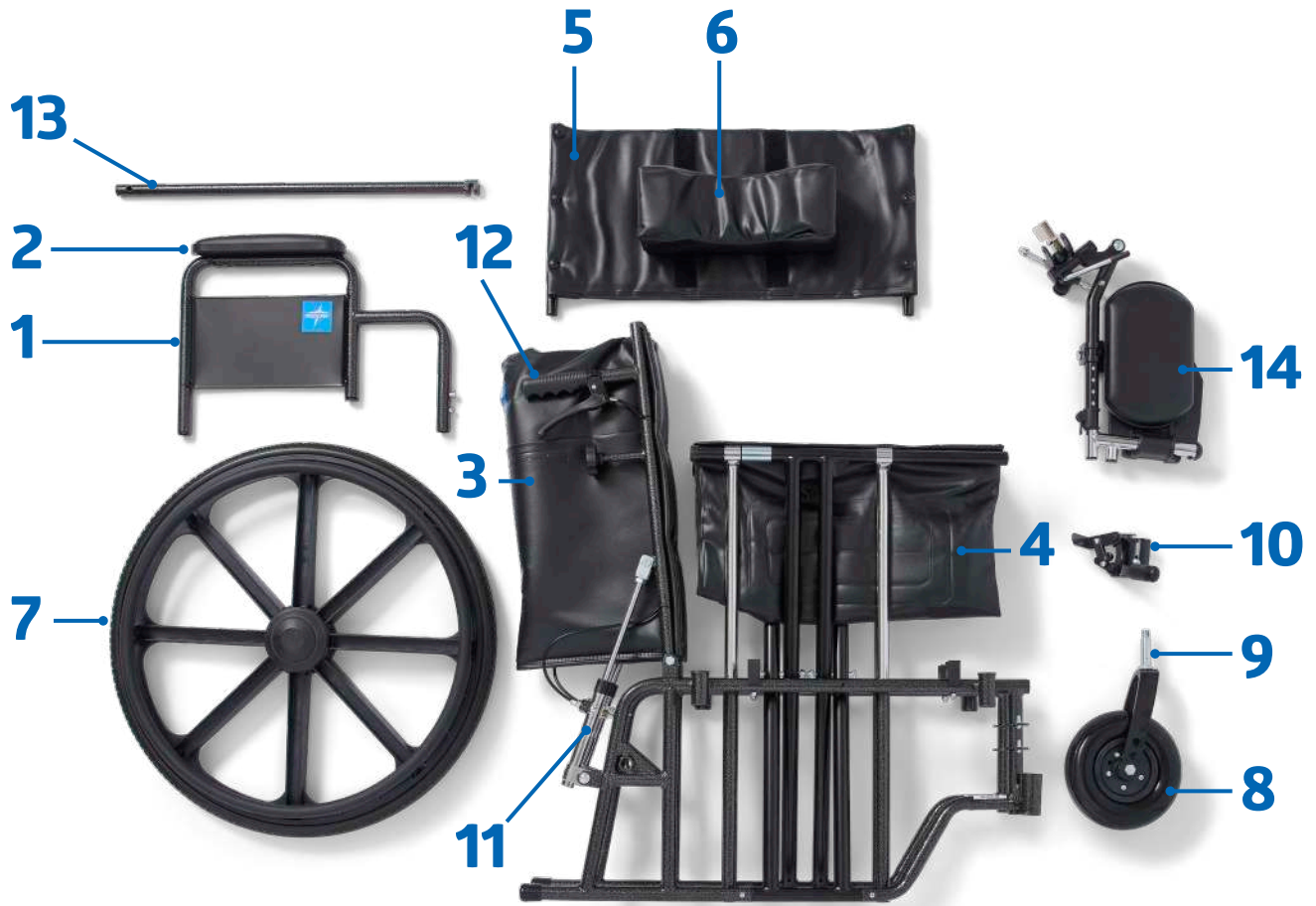
22" Wide Seat, Reclining Wheelchair with Removable, Desk-Length Arms and Elevating Leg Rests

KR248V21E

24" Wide Seat, Reclining Wheelchair with Removable, Desk-Length Arms and Elevating Leg Rests

KR268V21E

26" Wide Seat, Reclining Wheelchair with Removable, Desk-Length Arms and Elevating Leg Rests



Excel 2000

Part No.	Item No.	Description	Pkg.	MDS806100D	MDS806150D	MDS806200D	MDS806250N	MDS806250D	MDS806250DFLA	MDS806300N
Armrest										
1	WCA806915BLK	Armrest Pad, Desk Length, Vinyl, Black	1 ea				•	•		•
1	WCA806910BLK	Armrest Pad, Full Length, Vinyl, Black	1 ea	•	•	•			•	
1	WCA806910NVY	Armrest Pad, Full Length, Vinyl, Navy	1 ea							
2	WCA806960	Arm Assembly, Desk Length, Removable, No Armpads	1 pr				•	•		•
2	WCA806961	Arm Assembly, Full Length, Removable, No Armpads	1 pr						•	
Upholstery										
3 and 4	WCA806920NS	Seat and Back Upholstery Set, Vinyl, Navy, 16"	Set				•			•
3	WCA806920BLK	Seat Upholstery, Vinyl, Black, 18"	1 ea	•	•	•		•	•	
4	WCA806925BLK	Back Upholstery, Vinyl, Black, 18"	1 ea	•	•	•		•	•	
3 and 4	WCA806927BLKS	Seat and Back Upholstery Set, Vinyl, Black, 20"	Set							
NID*	WCA806975	Upholstery Hardware Set	Set	•	•	•	•	•	•	•
Rear Wheels										
5	WCA806945	Rear Wheel with Bearing, No Handrim	1 ea	•	•	•	•	•	•	•
6	WCA806940COMP	Handrim with Screws, Composite	1 ea	•	•	•	•	•	•	•
NID*	WCA806902	Hubcap, Rear Wheel	1 ea	•	•	•	•	•	•	•
NID*	WCA806951R	Axle, Rear Wheel	1 ea	•	•	•	•	•	•	•
NID*	WCA806955PR	Bearing, Rear Wheel	Set	•	•	•	•	•	•	•
Front Casters										
7	WCA806930	Front Caster, with Bearings	1 ea	•	•	•	•	•	•	•
8	WCA806931HHA	Fork, Front Wheel, Metal Version, Left or Right	1 ea	•	•	•	•	•	•	•
8	WCA806931R	Fork, Front Wheel, Plastic Version, Right Side Only, No Stem Bearing	1 ea	•	•	•	•	•	•	•
NID*	WCA806933	Axle and Hardware, Front Caster	Set	•	•	•	•	•	•	•
NID*	WCA806935PR	Bearings, Front Caster	1 pr	•	•	•	•	•	•	•
NID*	WCA806950PR	Stem Bearings, Front Caster	1 pr	•	•	•	•	•	•	•
NID*	WCA806995	Dust Cap	1 ea	•	•	•	•	•	•	•
Wheel Locks										
9	WCA806990R	Wheel Lock Assembly	1 pr	•	•	•	•	•	•	•
10	WCA806907	Wheel Lock Handle, Rubber Tip	1 ea	•	•	•	•	•	•	•
Footrest and Legrest										
11	WCA806965HCMP	Footrest Assembly with Composite Footplate	1 pr		•		•	•	•	
11	WCA806985HCMP	Elevating Legrest Assembly with Composite Footplate, with Calf Pad	1 pr			•				•
12	WCA806901	Footplate Assembly, Composite	1 pr	•	•	•	•	•	•	•
NID*	WCA806918BLK	Calf Pad, Black	1 ea			•				•
NID*	WCA806919	Bracket and Platform for Calf Pad	1 ea			•				•
NID*	WCA806985PB	Pivot Bolt, Elevating Legrest	1 ea			•				•
NID*	WCA806910	Leg/footrest Mounting Pins	4/cs	•	•	•	•	•	•	•
Frames										
13	WCA806909	Handgrips	1 pr	•	•	•	•	•	•	•
14	WCA806904	Tube End Cap for Rear Frame	1 ea	•	•	•	•	•	•	•
15	WCA806996	Slide Tube	1 ea	•	•	•	•	•	•	•

Excel 2000

MDS806100D

18" Wide Seat, Permanent Arms, Fixed Footrests

MDS806150D

18" Wide Seat, Permanent Arms,
Swing-Away Footrests

MDS806200D

18" Wide Seat, Permanent Arms, Elevating Leg Rests, Black

MDS806250N

16" Wide Seat, Removable, Desk-Length Arms,
Swing-Away Footrests, Navy

MDS806250D

18" Wide Seat, Removable, Desk-Length Arms,
Swing-Away Footrests

MDS806250FLA

18" Wide Seat, Full-Length Arms, Swing-Away Footrests

MDS806300N

16" Wide Seat, Removable, Desk-Length Arms,
Elevating Leg Rests, Navy

MDS806300D

18" Wide Seat, Removable Desk-Length Arms,
Elevating Leg Rests, Black

MDS806300FLA

18" Wide Seat, Full-Length Arms, Elevating Leg Rests

MDS806400

20" Wide Seat, Removable Desk-Length Arms,
Swing-Away Footrests

MDS806450

20" Wide Seat, Desk-Length Arms and Elevating Leg Rests, Black

MDS806400FLA

20" Wide Seat, Removable Full-Length Arms,
Swing-Away Footrests

MDS806450FLA

20" Wide Seat, Full-Length Arms,
Swing-Away Footrests



Excel Extra-Wide

Part No.	Item No.	Description	Pkg.	MDS806700	MDS806800	MDS806900	MDS806750	MDS806850	MDS806950
Armrest									
1	WCA806915NVY	Armrest Pad, Desk Length, Vinyl, Navy	1 ea	•	•	•	•	•	•
1	WCA806910NVY	Armrest Pad, Full Length, Vinyl, Navy	1 ea						
2	WCA806960	Arm Assembly, Desk Length, Removable, No Armpads	1 pr	•	•	•	•	•	•
2	WCA806961	Arm Assembly, Full Length, Removable, No Armpads	1 pr						
Upholstery									
3	WCA806927NVYS	Seat and Back Upholstery Set, Vinyl, Navy, 20"	1 ea	•			•		
3	WCA806926NVYS	Seat and Back Upholstery Set, Vinyl, Navy, 22"	1 ea		•			•	
3	WCA806925NVYS	Seat and Back Upholstery Set, Vinyl, Navy, 24"	1 ea			•			•
NID*	WCA806975	Upholstery Hardware Set	Set	•	•	•	•	•	•
Rear Wheels									
4	WCA806948	Rear Wheel with Bearing and Handrim	1 ea	•	•	•	•	•	•
NID*	WCA806902	Hubcap, Rear Wheel, B* Serial Number	1 ea	•	•	•	•	•	•
NID*	WCA806952	Axle and Nut, Rear Wheel	1 ea	•	•	•	•	•	•
NID*	WCA806957	Bearing, Rear Wheel	1 pr	•	•	•	•	•	•
Front Casters									
5	WCA806930XW	Front Caster, with Bearings	1 ea	•	•	•	•	•	•
6	WCA806931XW	Fork, Front Wheel	1 ea	•	•	•	•	•	•
NID*	WCA806933XW	Axle and Hardware, Front Caster	1 ea	•	•	•	•	•	•
NID*	WCA806935PR	Bearings, Front Caster	1 pr	•	•	•	•	•	•
NID*	WCA806950PR	Stem Bearings, Front Caster	1 pr	•	•	•	•	•	•
NID*	WCA806995	Dust Cap	1 ea	•	•	•	•	•	•
Wheel Locks									
7	WCA806990R	Wheel Lock Assembly	1 pr	•	•	•	•	•	•
8	WCA806907	Wheel Lock Handle, Rubber Tip	1 ea	•	•	•	•	•	•
Footrest and Legrest									
11	WCA806965HCMP	Footrest Assembly with Composite Footplate	1 pr	•	•	•			
11	WCA806985HCMP	Elevating Legrest Assembly with Composite Footplate, with Calf Pad	1 pr				•	•	•
12	WCA806901	Footplate Assembly, Composite	1 pr	•	•	•	•	•	•
NID*	WCA806918BLK	Calf Pad, Black	1 ea				•	•	•
NID*	WCA806919	Bracket and Platform for Calf Pad	1 ea				•	•	•
NID*	WCA806985PB	Pivot Bolt, Elevating Legrest	1 ea				•	•	•
NID*	WCA806910	Leg/footrest Mounting Pins	4/cs	•	•	•	•	•	•
Frames									
11	WCA806909	Handgrips	1 pr	•	•	•	•	•	•
12	WCA806997	Slide Tube	1 ea	•	•	•	•	•	•
Accessories									
NID*	MDS85196	Anti-Fold Device		•	•		•	•	
NID*	MDS851965SH	Anti-Fold Device 24" Wheelchairs		•			•	•	
NID*	MDS85197A	Overhead Anti-Theft Device				•			•
NID*	MDS851975SH	Overhead Anti-Theft Device 24" Wheelchairs		•	•		•	•	
NID*	MDS85192	22" Push Bar				•		•	

Excel Extra-Wide

MDS806700

20" Wide Seat, Removable, Desk-Length Arms, Swing-Away Footrests

MDS806800

22" Wide Seat, Removable, Desk-Length Arms, Swing-Away Footrests

MDS806900

24" Wide Seat, Removable, Desk-Length Arms, Swing-Away Footrests

MDS806750

20" Wide Seat, Removable, Desk-Length Arms, Elevating Leg Rests

MDS806850

22" Wide Seat, Removable, Desk-Length Arms, Elevating Leg Rests

MDS806950

24" Wide Seat, Removable, Desk-Length Arms, Elevating Leg Rests

MDS806700FLA

20" Wide Seat, Removable Full-Length Arms, Swing-Away Footrests

MDS806800FLA

22" Wide Seat, Removable Full-Length Arms, Swing-Away Footrests

MDS806900FLA

24" Wide Seat, Removable Full-Length Arms, Swing-Away Footrests

MDS806750FLA

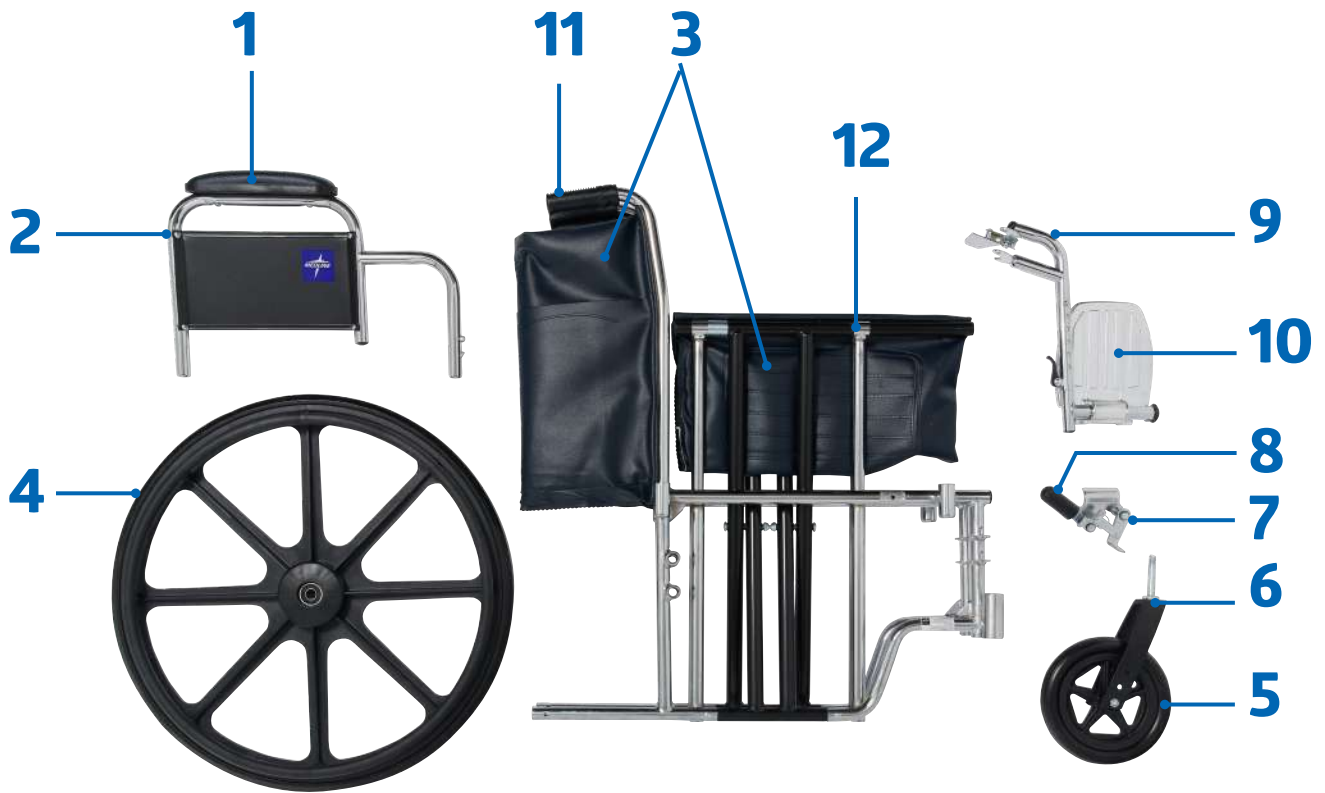
20" Wide Seat, Removable Full-Length Arms, Elevating Leg Rests

MDS806850FLA

22" Wide Seat, Removable Full-Length Arms, Elevating Leg Rests

MDS806950FLA

24" Wide Seat, Removable Full-Length Arms, Elevating Leg Rests



Shuttle Bariatric

Part No.	Item No.	Description	Pkg.	MDS809650	MDS809750	MDS809850	MDS809950
Armrest							
1	WCA806915SH	Armrest Pad, Desk Length	1 ea	•	•	•	•
2	WCA806960SH	Arm Assembly, Desk Length, Removable	1 pr	•	•	•	•
Upholstery							
3	WCA806926SH1	Back Upholstery, Nylon, 24"	1 ea	•			
3	WCA806926SH2	Back Upholstery, Nylon, 26"	1 ea		•		
3	WCA806926SH3	Back Upholstery, Nylon, 28"	1 ea			•	
3	WCA806926SH4	Back Upholstery, Nylon, 30"	1 ea				•
4	WCA808920SH1	Seat Upholstery, Nylon, 24"	1 ea	•			
4	WCA808920SH2	Seat Upholstery, Nylon, 26"	1 ea		•		
4	WCA808920SH3	Seat Upholstery, Nylon, 28"	1 ea			•	
4	WCA808920SH4	Seat Upholstery, Nylon, 30"	1 ea				•
Rear Wheels							
5	WCA806945SH	Rear Wheel with Bearing and Handrim	1 ea	•	•	•	•
6	WCA806940SH	Handrim with Screws	1 ea	•	•	•	•
NID*	WCA806902SH	Hubcap, Rear Wheel	1 ea	•	•	•	•
NID*	WCA806951SH	Axle and Hardware, Rear Wheel	1 ea	•	•	•	•
NID*	WCA806955SH	Bearing, Rear Wheel	1 pr	•	•	•	•
Front Casters							
7	WCA806930SH	Front Caster, with Bearings	1 ea	•	•	•	•
8	WCA806931SH	Fork, Front Wheel	1 ea	•	•	•	•
NID*	WCA806933SH	Axle and Hardware, Front Caster	1 ea	•	•	•	•
NID*	WCA806995SH	Dust Cap	1 ea	•	•	•	•
Wheel Locks							
9	WCA806990SH	Wheel Lock Assembly	1 pr	•	•	•	•
10	WCA806907SH	Wheel Lock Handle, Rubber Tip	1 ea	•	•	•	•
Legrests							
11	WCA806985SH	Elevating Legrest Assembly with Calf Pads	1 pr	•	•	•	•
12	WCA806900SH	Footplate Assembly	1 pr	•	•	•	•
13	WCA806918SH	Calf Pad	1 ea	•	•	•	•
14	WCALRCLIP	Clips for Legrest	1 ea	•	•	•	•
15	WCA806910	Leg/footrest Mounting Pins	4/cs	•	•	•	•
Frame							
16	WCA806909S	Handgrips	1 pr	•	•	•	•

MDS809650

24" Wide Seat, Removable Desk Length Arms and Elevating Legrests

MDS809750

26" Wide Seat, Removable Desk Length Arms and Elevating Legrests

MDS809850

28" Wide Seat, Removable Desk Length Arms and Elevating Legrests

MDS809950

30" Wide Seat, Removable Desk Length Arms and Elevating Legrests



Item No.	Description
Universal Accessories	
MDS85189SH	Anti-tipper, 1 pr
MDS85157PR	Brake Extender
WCA6200	Cup Holder
WCABELTFP	Seat Belt
WCA806991	Tinnerman Nut
WCA6100	O2 Holder (Nylon)
MDS85181U	O2 Holder (Steel)
MDS85183	IV Pole
MDS85190	O2/IV Combo
MDS851965SH	Anti-Fold Device
MDS85197SH	Overhead Anti-Theft Device

Excel Recliner

Part No.	Item No.	Description	Pkg.	MDS808350	MDS808450	MDS808550	MDS808650
Armrest							
1	WCA806915BLK	Armrest Pad, Desk Length, Vinyl, Black	1 ea	●	●	●	●
2	WCA806960	Arm Assembly, Desk Length, Removable	1 pr	●	●	●	●
Upholstery							
3	WCA806921R	Seat Upholstery, Vinyl, Black, 16"	1 ea	●			
3	WCA808920R	Seat Upholstery, Vinyl, Black, 18"	1 ea		●		
3	WCA806922R	Seat Upholstery, Vinyl, Black, 20"	1 ea			●	
3	WCA806932R	Seat Upholstery, Vinyl, Black, 22"	1 ea				●
4	WCA806923R	Back Upholstery, Vinyl, Black, 16"	1 ea	●			
4	WCA808924R	Back Upholstery, Vinyl, Black, 18"	1 ea		●		
4	WCA806924R	Back Upholstery, Vinyl, Black, 20"	1 ea			●	
4	WCA806936R	Back Upholstery, Vinyl, Black, 22"	1 ea				●
5	WCA85HDREST1	Headrest Assembly with Posts and Upholstery, Vinyl, Black, 16"	1 ea	●			
5	WCA808926R	Headrest Assembly with Posts and Upholstery, Vinyl, Black, 18"	1 ea		●		
5	WCA85HDREST2	Headrest Assembly with Posts and Upholstery, Vinyl, Black, 20"	1 ea			●	
5	WCA85HDREST3	Headrest Assembly with Posts and Upholstery, Vinyl, Black, 22"	1 ea				●
Stabilizing Bar							
6	WCARECBAR	16" Stabilizing Bar, For Back Of Recliner	1 ea	●			
6	WCA808905	18" Stabilizing Bar, For Back Of Recliner	1 ea		●		
6	WCARECBAR2	20" Stabilizing Bar, For Back Of Recliner	1 ea			●	
6	WCARECBAR3	22" Stabilizing Bar, For Back Of Recliner	1 ea				●
7	WCARECBARK	Stabilizing Bar Knobs	1 pr	●	●	●	●
Reclining System							
8	WCA808906PR	Reclining System Pistons	1 pr	●	●	●	●
9	WCA808908	Cable and Release for Reclining System	1 pr	●	●	●	●
Rear Wheels							
10	WCA806946	Rear Wheel with Bearing and Handrim	1 ea	●	●	●	●
NID*	WCA806940COMP	Handrim with Screws, Composite	1 ea	●	●	●	●
NID*	WCA806902	Hubcap, Rear Wheel	1 ea	●	●	●	●
NID*	WCA806951R	Axle, Rear Wheel	1 ea	●	●	●	●
NID*	WCA806955PR	Bearing, Rear Wheel	1 pr	●	●	●	●
Front Casters							
11	WCA806930	Front Caster, with Bearings	1 ea	●	●	●	●
12	WCA806931HHA	Fork, Front Wheel	1 ea	●	●	●	●
NID*	WCA806933	Axle and Hardware, Front Caster	1 ea	●	●	●	●
NID*	WCA806935PR	Bearing, Front Caster	1 pr	●	●	●	●
NID*	WCA806950PR	Stem Bearing	1 pr	●	●	●	●
NID*	WCA806995	Dust Cap	1 ea	●	●	●	●
Wheel Locks							
13	WCA806990R	Wheel Lock Assembly	1 pr	●	●	●	●
14	WCA806907	Wheel Lock Handle, Rubber Tip	1 ea	●	●	●	●
Footrest and Legrest							
15	WCA806985HCMP	Elevating Legrest Assembly with Composite Footplate, with Calf Pad	1 pr	●	●	●	●
16	WCA806901	Footplate Assembly, Composite	1 pr	●	●	●	●
17	WCA806918BLK	Calf Pad, Black	1 ea	●	●	●	●
NID*	WCA806919	Bracket and Platform for Calf Pad	Set	●	●	●	●
NID*	WCA806910	Leg/footrest Mounting Pins	4/cs	●	●	●	●
Frames							
18	WCA808902W	Folding Mechanism, Paddle and Socket	1 ea	●	●	●	●
19	WCA806950	Upper Push Handles	1 pr	●	●	●	●

MDS808350

16" Wide Seat, Reclining Wheelchair with Removable, Desk-Length Arms and Elevating Leg Rests, 300-lb. Weight Capacity

MDS808450

18" Wide Seat, Reclining Wheelchair with Removable, Desk-Length Arms and Elevating Leg Rests, 300-lb. Weight Capacity

MDS808550

20" Wide Seat, Reclining Wheelchair with Removable, Desk-Length Arms and Elevating Leg Rests, 350-lb. Weight Capacity

MDS808650

22" Wide Seat, Reclining Wheelchair with Removable, Desk-Length Arms and Elevating Leg Rests, 350-lb. Weight Capacity



Item No.	Description
Universal Accessories	
MDS85189WK4	Anti-Tipper, 1 pr
MDS85157PR	Brake Extender
WCA6200	Cup Holder
WCABELT	Seat Belt
WCA806991	Tinnerman Nut
MDS85196(20)	Anti-Fold Device

K4 Lightweight

Part No.	Item No.	Description	Pkg.	MDS806500N	MDS806550N	MDS806500	MDS806550	MDS806560	MDS806565
Armrest									
1	WCA806915NYL	Armrest Pad, Desk Length	1 ea	•	•	•	•	•	•
1	WCA806910NYL	Armrest Pad, Full Length	1 ea						
2	WCA806968K4	Arm Assembly , Desk Length, Swing-Back with Pad	1 pr	•	•	•	•	•	•
2	WCA806969K4	Arm Assembly , Full Length, Swing-Back with Pad	1 pr						
Upholstery									
3	WCA806921K4S	Seat and Back Upholstery Set, Nylon, 16"	1 ea	•	•				
3	WCA806922K4S	Seat and Back Upholstery Set, Nylon, 18"	1 ea			•	•		
3	WCA806927K4S	Seat and Back Upholstery Set, Nylon, 20"	1 ea					•	•
4	WCA806926K4	Seat Upholstery, Nylon, 22"	1 ea						
5	WCA806928K4	Back Upholstery, Nylon, 22"	1 ea						
NID*	WCA806975	Upholstery Hardware Set	Set	•	•	•	•	•	•
NID*	WCA806922EXT	Seat Depth Extension, 18" Seat Only	1 ea						
NID*	WCA806905K4	Button, Back Height Adjustment	1 ea	•	•	•	•	•	•
Rear Wheels									
6	WCA806946QR	Rear Wheel Assembly 16" and 18" Quick Release	1 ea	•	•	•	•		
6	WCA806956QR1	Rear Wheel Assembly 20" and 22" Quick Release	1 ea					•	•
7	WCA806940COMP	Handrim with Screws, Composite	1 ea	•	•	•	•	•	•
8	WCA806951QR	Quick Release Axle for Wheelchair, 16" and 18" Seat	1 ea	•	•	•	•		
8	WCA806951QR1	Quick Release Axle for Wheelchair, 20" and 22" Seat	1 ea					•	•
Wheel Locks									
11	WCA806990R	Wheel Lock Assembly	1 pr	•	•	•	•	•	•
12	WCA806907	Wheel Lock Handle, Rubber Tip	1 ea	•	•	•	•	•	•
Front Casters									
5	WCA806930XW	Front Caster, with Bearings	1 ea	•	•	•	•	•	•
6	WCA806931XW	Fork, Front Wheel	1 ea	•	•	•	•	•	•
NID*	WCA806933XW	Axle and Hardware, Front Caster	1 ea	•	•	•	•	•	•
NID*	WCA806935PR	Bearings, Front Caster	1 pr	•	•	•	•	•	•
NID*	WCA806950PR	Stem Bearings, Front Caster	1 pr	•	•	•	•	•	•
NID*	WCA806995	Dust Cap	1 ea	•	•	•	•	•	•
Footrest and Legrest									
13	WCA806965HCB	Footrest Assembly with Composite Footplate	1 pr	•		•		•	
13	WCA806985HCB	Elevating Legrest Assembly with Composite Footplate, with Calf Pad	1 pr		•		•		•
14	WCA806901	Footplate Assembly, Composite	1 pr	•	•	•	•	•	•
NID*	WCA806918NYL	Calf Pad	1 ea		•		•		•
NID*	WCA806919	Bracket and Platform for Calf Pad	Set		•		•		•
NID*	WCA806985PB	Pivot Bolt, Elevating Legrest	1 ea		•		•		•
15	WCA806910	Leg/footrest Mounting Pins	4/cs	•	•	•	•	•	•
Frames									
16	WCA806909	Handgrips	1 pr	•	•	•	•	•	•

K4 Lightweight

MDS806500N

16" Wide Seat, Swing-Back Desk-Length Arms and Swing-Away Footrests

MDS806550N

16" Wide Seat, Swing-Back Desk-Length Arms and Elevating Leg Rests

MDS806500

18" Wide Seat, Swing-Back Desk-Length Arms and Swing-Away Footrests

MDS806550

18" Wide Seat, Swing-Back Desk-Length Arms and Detachable Swing-Away Elevating Leg Rests

MDS806560

20" Wide Seat, Swing-Back Desk-Length Arms and Swing-Away Footrests

MDS806565

20" Wide Seat, Swing-Back Desk-Length Arms and Elevating Leg Rests

MDS806570

22" Wide Seat, Swing-Back Desk-Length Arms and Swing-Away Footrests

MDS806575

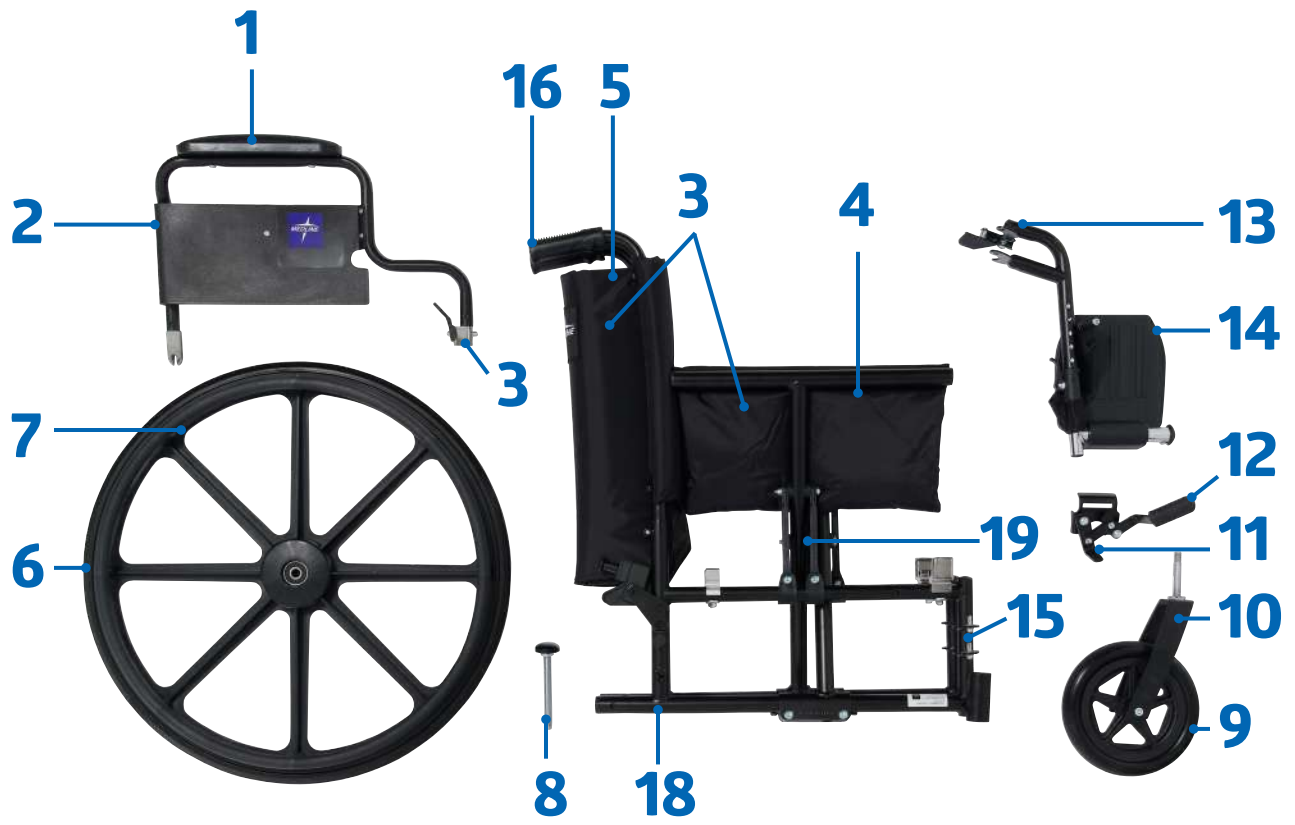
22" Wide Seat, Removable, Desk-Length Arms and Elevating Leg Rests

MDS806500FLA

18" Wide Seat, Full-Length Arms and Swing-Away Footrests

MDS806550FLA

18" Wide Seat, Full-Length Arms and Elevating Leg Rests



Hybrid 2

Part No.	Item No.	Description	Pkg.	MDS806250NH2	MDS806250H2	MDS806300H2
Armrest						
1	WCA806915NYL	Armrest Pad, Desk Length	1 ea	•	•	•
2	WCA806960H	Arm Assembly, Desk Length, Removable	1 pr	•	•	•
Upholstery						
3	WCA806921H2S	Seat and Back Upholstery Set, 16"	Set	•		
3	WCA806925H2S	Seat and Back Upholstery Set, 18"	Set		•	•
Rear Wheels						
4	WCA806930HTC	Rear Caster, with Bearings and Axle	1 ea	•	•	•
NID*	WCA806955PR	Bearing, Rear Wheel	1 pr	•	•	•
Front Casters						
5	WCA806930	Front Caster, with Bearings	1 ea	•	•	•
6	WCA806931H	Fork, Front Wheel	1 ea	•	•	•
NID*	WCA806933K4	Axle and Hardware, Front Caster	1 ea	•	•	•
NID*	WCA806935PR	Bearing, Front Caster	1 pr	•	•	•
Wheel Locks						
7	WCA806990LH	Wheel Lock Assembly, Large Wheel	1 pr	•	•	•
8	WCA806990H	Wheel Lock Assembly, Small Wheel	1 pr	•	•	•
9	WCA806907	Wheel Lock Handle, Rubber Tip	1 ea	•	•	•
Legrest						
10	WCA806965HCH2	Footrest Assembly with Composite Footplate	1 pr	•	•	
10	WCA806985HCH2	Elevating Legrest Assembly with Composite Footplate, with Calf Pad	1 pr			•
11	WCA806901	Footplate Assembly, Composite	1 pr	•	•	•
NID*	WCA806918NYL	Calf Pad	1 ea			•
NID*	WCA806919	Bracket and Platform for Calf Pad	Set			•
NID*	WCA806985PB	Pivot Bolt, Elevating Legrest	1 ea			•
12	WCA806910	Leg/footrest Mounting Pins	4/cs	•	•	•
Frame						
13	WCA806909	Handgrips	1 pr	•	•	•

MDS806250NH2

16" Wide Seat, Removable, Desk-Length Arms and Swing-Away Footrests

MDS806250H2

18" Wide Seat, Removable, Desk-Length Arms and Swing-Away Footrests

MDS806300H2

18" Wide Seat, Removable, Desk-Length Arms and Swing-Away Elevating Footrests



Item No.	Description
Universal Accessories	
MDS85189H2	Anti-Tipper, 1 pr
MDS85157PR	Brake Extender
WCA6200	Cup Holder
WCABELT	Seat Belt
WCA806991	Tinnerman Nut
WCA6100	O2 Holder (Nylon)
MDS85183	IV Pole
MDS85190	O2/IV Combo
MDS85196	Anti-Fold Device

Pediatric Vinyl

Part No.	Item No.	Description	Pkg.	MDS806140PD
Armrest				
1	WCA806915P	Armrest Pad, Desk Length	1 ea	•
Upholstery				
2	WCA808920P1B	Seat Upholstery, Vinyl, Black, 14"	1 ea	•
3	WCA808926P1	Back Upholstery, Vinyl, Black, 14"	1 ea	•
Rear Wheels				
4	WCA806935PRP	Rear Wheel with Bearing and Handrim	1 ea	•
NID*	WCA806902P	Hubcap, Rear Wheel	1 ea	•
Front Casters				
5	WCA806930PP	Front Caster, with Bearings	1 ea	•
NID*	WCA806935PED	Bearing, Front Caster	1 ea	•
NID*	WCA806933P	Axle and Hardware, Front Caster	1 ea	•
NID*	WCA806995P	Dust Cap	1 ea	•
Wheel Locks				
6	WCA806990K	Wheel Lock Assembly	1 pr	•
7	WCA806907P	Wheel Lock Handle, Rubber Tip	1 ea	•
Footrests and Legrests				
8	WCA806985KIDN	Elevating Legrest Assembly with Composite Footplate, with Calf Pad	1 pr	•
9	WCA806918P	Calf Pad	1 ea	•
10	WCA806910	Leg/footrest Mounting Pins	4/cs	•
Frames				
11	WCAKIDZKNOB	Height Adjustment Knob for Handles	1 ea	•
12	WCA806909	Handgrips	1 pr	•

MDS806140PD

14" Seat, Swing-Back Removable Desk Length Armrests, and Elevating Legrests



Item No.	Description
Universal Accessories	
MDS85189K	Anti-Tipper, 1 pr
WCABELT	Seat Belt

Basic Homecare Beds

Part No.	Item No.	Description	Pkg.	MDR107002E	MDR107003E	MDR107003ELO
Head and Foot						
1	MDR510054	Foot Deck Assembly	1 ea	•	•	•
2	MDR510114	Head Deck Assembly	1 ea	•	•	•
3	MDR510044	Foot Board Assembly for Semi-Electric Bed	1 ea	•		
3	MDR520044	Foot Board Assembly for Full-Electric Bed	1 ea		•	
3	MDSLOWBASIC	Foot Board Assembly for Low Full-Electric Bed	1 ea			•
4	MDR510024	Head Board Assembly for Semi- and Full-Electric Beds	1 ea	•	•	
4	MDSLOWBASIC	Head Board Assembly for Low Full-Electric Bed	1 ea			•
5	MDR510254	Panel for Head/Foot Board for Semi- and Full-Electric Beds	1 ea	•	•	
5	MDR510254L	Panel for Head/Foot Board for Low Full-Electric Bed	1 ea			•
Electronics						
6	MDR510074	Head/Foot Motor for Semi-Electric Bed	1 ea	•		
6	MDR520084	Head/Foot Motor for Full-Electric Bed and Low Full-Electric Bed	1 ea		•	•
7	MDR520164	Hi-Lo Motor	1 ea		•	•
8	MDR530094	Pendant with 9V Battery Backup for Semi-Electric Bed	1 ea	•		
8	MDR540094	Pendant with 9V Battery Backup for Full-Electric Bed and Low Full-Electric Bed	1 ea		•	•
Parts						
9	MDR630034R	Casters (2 Locking, 2 Non-locking)	2 pr	•	•	•
10	MDR620185	Composite Inserts for Casters	1 pr	•	•	•
11	MDRCRANK	Removable Hand Crank	1 ea	•	•	•
12	MDR510124	Drive Shaft (Two pieces)	1 ea	•	•	•
NID	MDR510074CP	Motor Cover Plates	1 ea	•	•	
NID	MDSRAILKNOB	Knob, Spacer, Clamp for Half Rail (MDS89697)	1 ea	•	•	•

Item No. Description

Universal Accessories

MDS89697	Clamp-On Half Rail
MDS89694N	Spring Loaded Full Rail
MDR237827E	Basic All Fiber Mattress
MDR237827	Vinyl Innerspring Mattress
MDR230981R	Foam Mattress
MDSBEDCART	Bed Cart Kit For Homecare Beds

MDR107002E

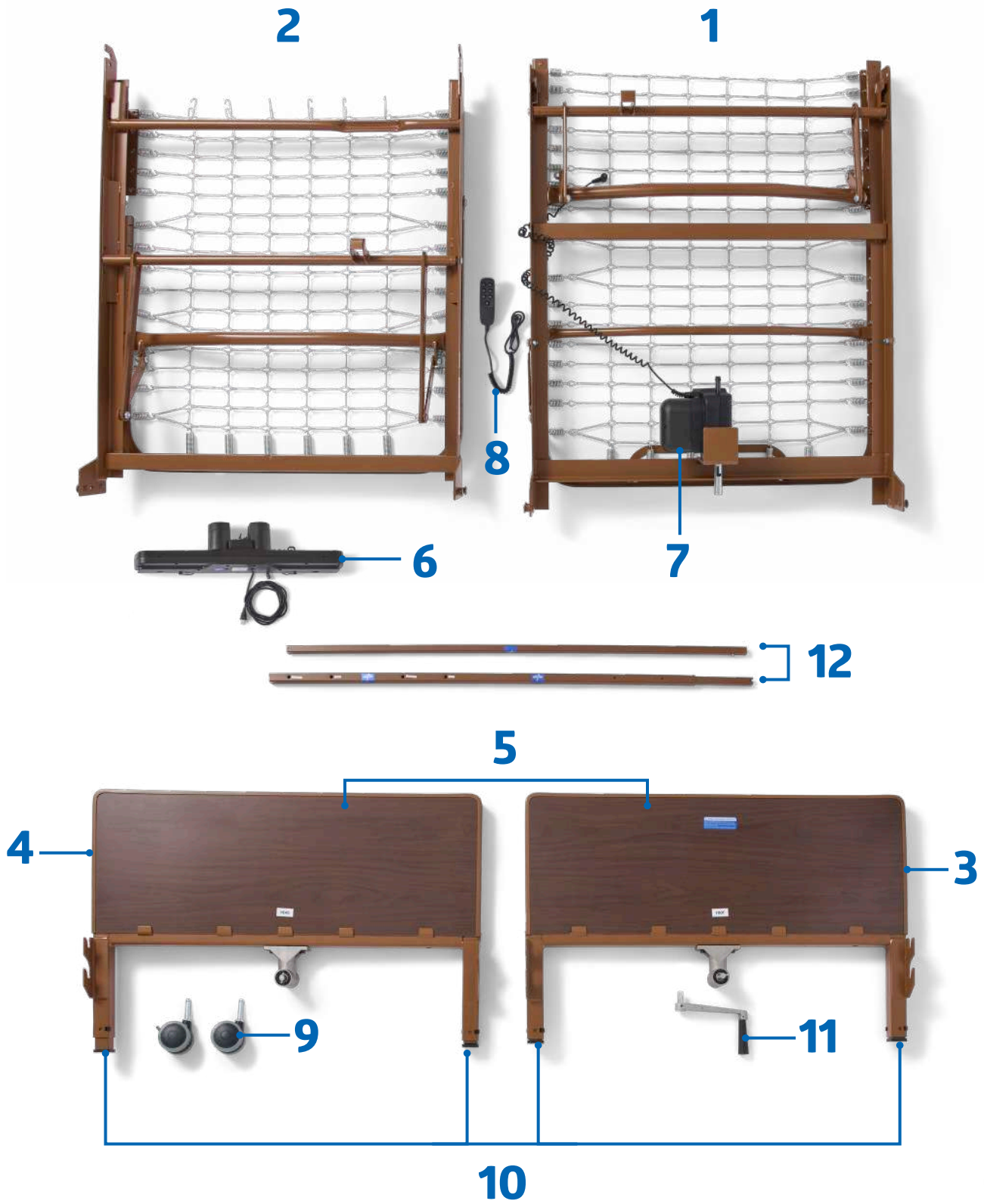
Basic Homecare Semi-Electric Bed with 15"-20" Height Range

MDR107003E

Basic Homecare Full-Electric Bed with 15"-20" Height Range

MDR107003ELO

Basic Homecare Low Full-Electric Bed with 9.5"-22.5" Height Range



MedLite Homecare Beds

Part No.	Item No.	Description	Pkg.	MDR107002L	MDR107003L	MDR107003LO
Head and Foot						
1	MDR630054	Foot Deck Assembly	1 ea	●	●	●
2	MDR630114	Head Deck Assembly	1 ea	●	●	●
3	MDR630014	Foot Board Assembly for Semi-Electric Bed	1 ea	●		
3	MDR630314	Foot Board Assembly for Full-Electric Bed	1 ea		●	
3	MDSLOWBED	Foot Board Assembly for Low Full-Electric Bed	1 ea			●
4	MDR630024	Head Board Assembly for Semi- and Full-Electric Beds	1 ea	●	●	
4	MDSLOWBED	Head Board Assembly for Low Full-Electric Bed	1 ea			●
5	MDR620085	Handle Assembly for Hi Lo Motor	1 ea	●		●
6	MDR630244	Panel for Head/Foot Board for Semi- and Full-Electric Beds	1 pr	●	●	
6	MDR630254W	Panel for Head/Foot Board for Low Full-Electric Bed	1 pr			●
Electronics						
7	MDR630064R	Head Motor	1 ea	●	●	●
8	MDR630074R	Foot Motor	1 ea	●	●	●
9	MDR630084R	Control Box for Semi-Electric Bed	1 ea	●		
9	MDR630144R	Control Box for Full-Electric Bed and Low Full-Electric Bed	1 ea		●	●
10	MDR630164R	Hi Lo Motor for Full-Electric Bed and Low Full-Electric Bed	1 ea		●	●
11	MDR630094R	Pendant with Cord for Semi-Electric Bed	1 ea	●		
11	MDR630154R	Pendant with Cord for Full-Electric Bed and Low Full-Electric Bed	1 ea		●	●
12	MDRBATTERYBOX	Backup Battery Box	1 ea			●
Parts						
13	MDR630034R	Casters (2 Locking, 2 Non-locking)	2 pr	●	●	●
14	MDR620185	Composite Inserts for Casters	1 pr	●	●	●
15	MDR620104	Emergency Crank Handle	1 ea		●	●
16	MDR630124	Drive Shaft (Two pieces)	1 ea	●	●	●
NID	MDR620055	Fasteners set for foot spring motor	1 ea	●	●	●
NID	MDR620005	Fasteners set for head spring motor	1 ea	●	●	●
NID	MDR630066	Extension tube for foot motor assembly	1 ea	●	●	●
NID	MDR630065	Extension tube for head motor assembly	1 ea	●	●	●
NID	MDSRAILKNOB	Knob, Spacer, Clamp for half rail, MDS89697	1 ea	●	●	●

Item No. Description

Universal Accessories

MDS89697	Clamp-On Half Rail
MDS89694N	Spring Loaded Full Rail
MDR237827E	Basic All Fiber Mattress
MDR237827	Vinyl Innerspring Mattress
MDR230981R	Foam Mattress
MDSBEDCART	Bed Cart Kit For Homecare Beds

MDR107002L

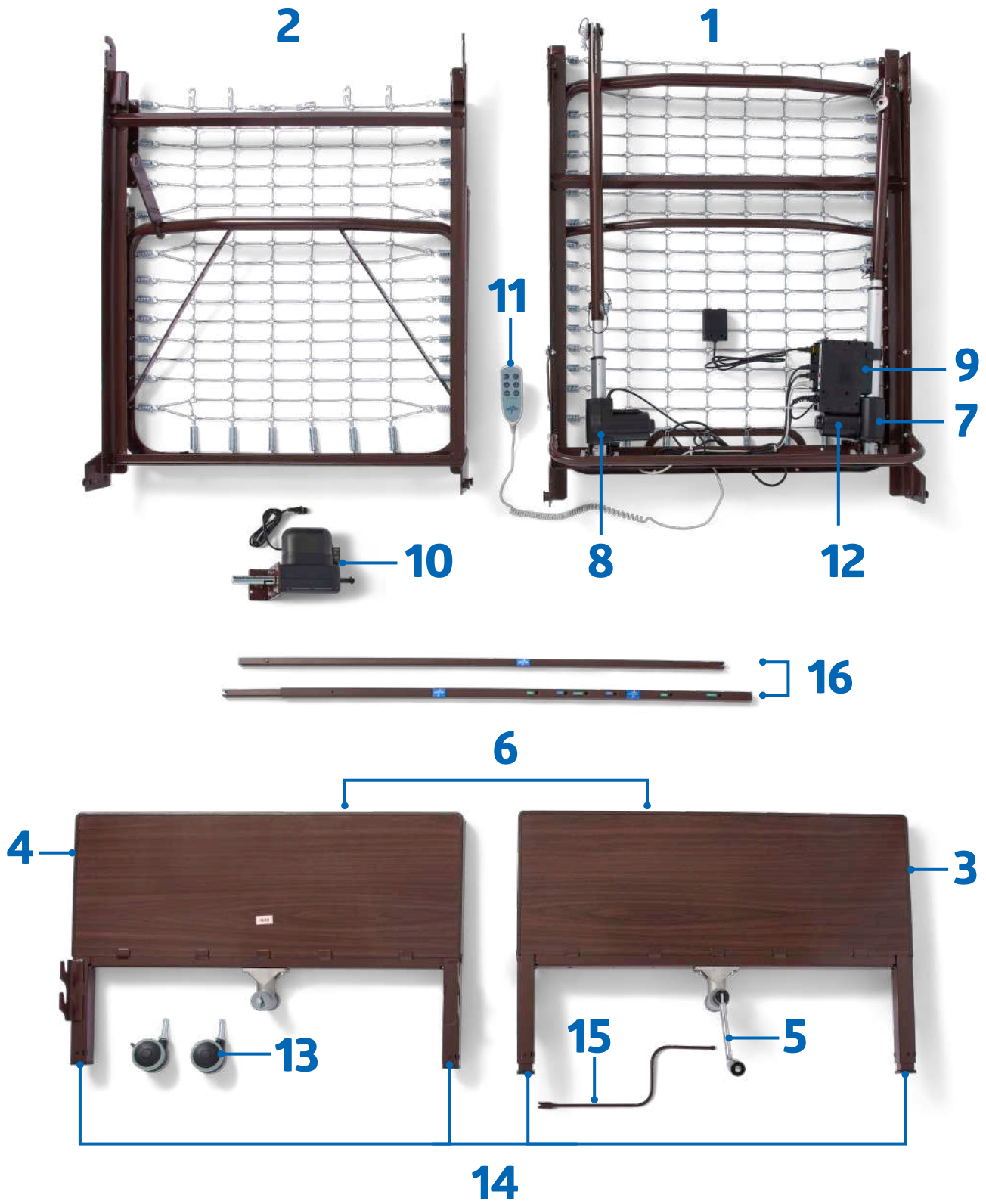
Basic Homecare Semi-Electric Bed with 9.5"-22.5" Height Range

MDR107003L

MedLite Homecare Full-Electric Bed with 14.5"-22.5" Height Range

MDR107003LO

MedLite Homecare Low Full-Electric Bed with 9.5"-22.5" Height Range



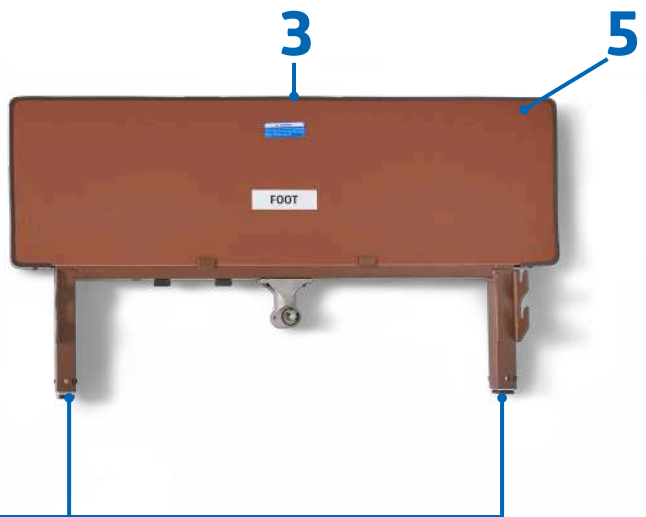
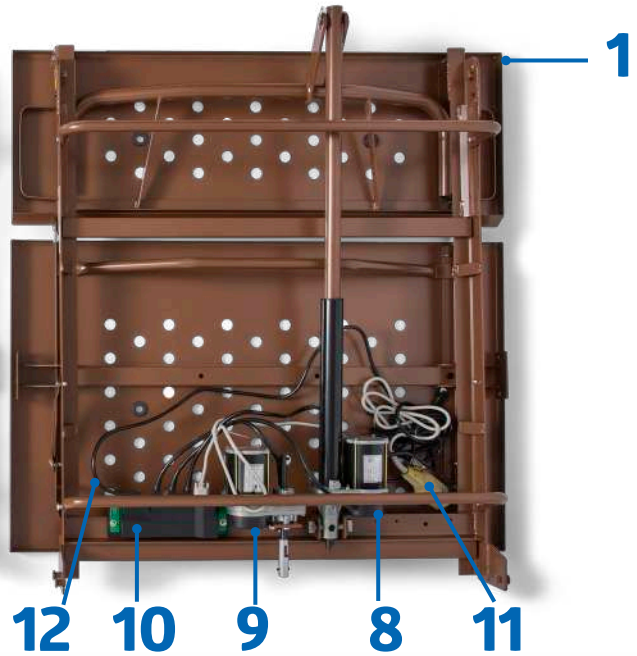
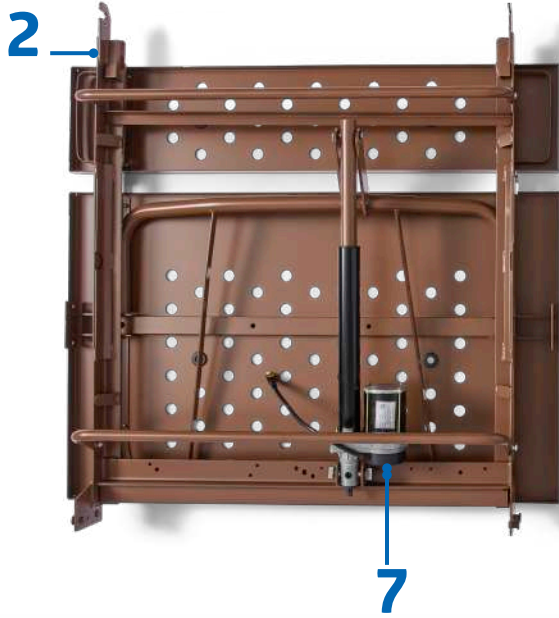
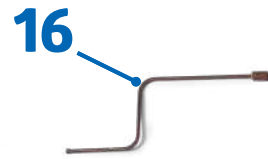
Bariatric Homecare Bed

Part No.	Item No.	Description	Pkg.	MDR107004
Head and Foot				
1	MDR710054	Foot Deck Assembly for Bariatric Full-Electric Bed	1 ea	●
2	MDR710114	Head Deck Assembly for Bariatric Full-Electric Bed	1 ea	●
3	MDR710314	Foot Board Assembly for Bariatric Full-Electric Bed	1 ea	●
4	MDR710024	Head Board Assembly	1 ea	●
5	MDR710254	Panel for Foot Board	1 ea	●
6	MDR710244	Panel for Head Board	1 ea	●
Electronics				
7	MDR710064H	Head Motor for Bariatric Full-Electric Bed	1 ea	●
NID	MDR710HMCH	Cable Extension for Head Motor	1 ea	●
8	MDR710074H	Foot Motor for Bariatric Full-Electric Bed	1 ea	●
9	MDR710164H	Hi Lo Motor for Bariatric Full-Electric Bed	1 ea	●
10	MDR710144H	Control Box for Bariatric Full-Electric Bed	1 ea	●
11	MDR710154H	Pendant with Cord for Bariatric Full-Electric Bed	1 ea	●
12	MDR71BEDCORD	Power Cord for Bariatric Full-Electric Bed	1 ea	●
Parts				
13	MDR710034L	Caster, Locking	1 pr	●
13	MDR710034SL	Caster, Non-locking	1 pr	●
14	MDR710185	Composite Inserts for Casters	1 pr	●
15	MDR710FRSU	Frame Support Bracket Assembly	1 ea	●
16	MDR710104	Emergency Crank Handle	1 ea	●
17	MDR710124	Drive Shaft (Two pieces)	1 ea	●

* Interchangeable

Item No.	Description
Universal Accessories	
MDS89697BAR	Bariatric Half Rail for MDR107004, 18" x 29"
MDR211892R	Bariatric Rolled Foam Mattress 84" x 6" x 42"

MDR107004
 Medline Bariatric Homecare Bed with 18.1"–26" Height Range, 600-lb. Weight Capacity, Full Electric



14

Lightweight Bariatric Homecare Bed

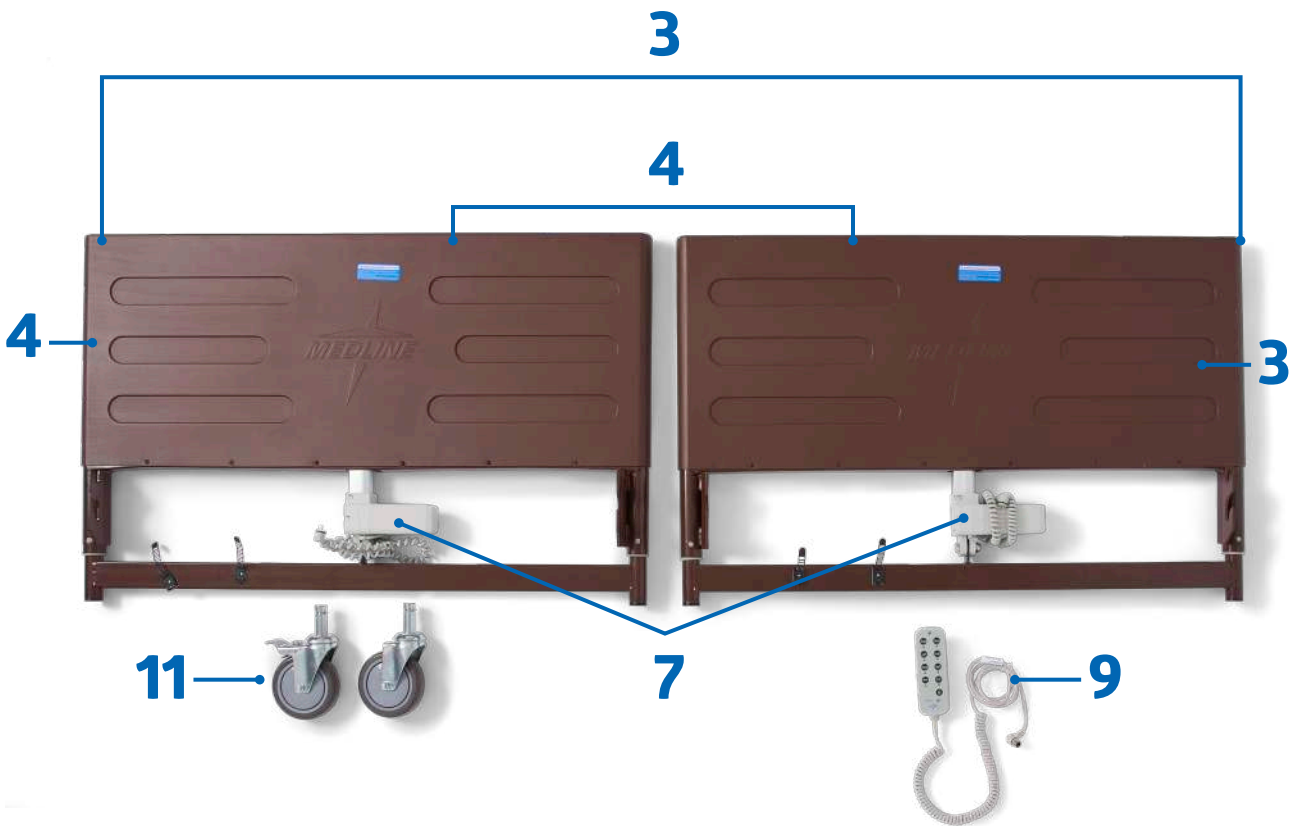
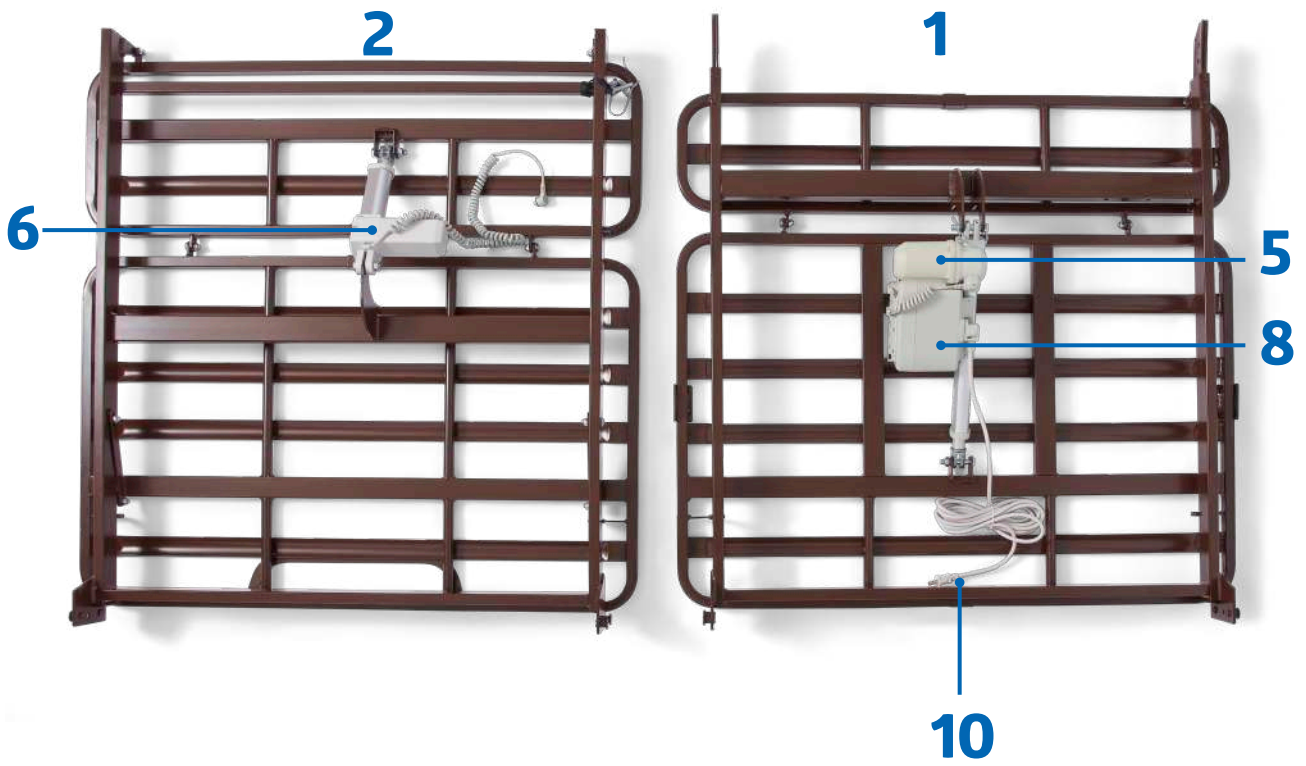
Part No.	Item No.	Description	Pkg.	MDR107004L
Head and Foot				
1	MDR710054L	Foot Deck Assembly for Lightweight Bariatric Full-Electric Bed	1 ea	●
2	MDR710114L	Head Deck Assembly for Lightweight Bariatric Full-Electric Bed	1 ea	●
3	MDR710024L*	interchangeable Head and Foot Board Assembly for Lightweight Bariatric Full-Electric Bed	1 ea	●
4	MDRPANEL4L*	Panel for Foot Board for Lightweight Bariatric Full-Electric Bed	1 ea	●
Electronics				
5	MDR710064HL	Head Motor for Lightweight Bariatric Full-Electric Bed	1 ea	●
6	MDR710074HL	Foot Motor for Lightweight Bariatric Full-Electric Bed	1 ea	●
7	MDR710164HL	Hi Lo Motor for Lightweight Bariatric Full-Electric Bed	1 ea	●
8	MDR710144HL	Control Box for Lightweight Bariatric Full-Electric Bed	1 ea	●
9	MDR710154HL	Pendant with Cord for Lightweight Bariatric Full-Electric Bed	1 ea	●
10	MDR71BEDCORDL	Power Cord for Lightweight Bariatric Full-Electric Bed	1 ea	●
Parts				
11	MDR710034L	Caster, Locking	1 pr	●
11	MDR710034SL	Caster, Non-locking	1 pr	●

* Interchangeable

Item No.	Description
Universal Accessories	
MDS89697BARL	Bariatric Half Rail for MDR107004L, 18" x 29"
MDR004LB	Battery Pack/Battery back up for MDR107004L
MDR211892R	Bariatric Rolled Foam Mattress 84" x 6" x 42"

MDR107004L

Medline Lightweight Bariatric Homecare Bed with 18.1"-26" Height Range, 600-lb. Weight Capacity, Full Electric



**Contact DME Support for
product or parts questions
at 1-847-461-8482 or email
productsupportdme@medline.com.**



**We make
healthcare
run better®**

Medline Inc. | 1-800-MEDLINE (633-5463) | www.medline.com

©2026 Medline. All rights reserved. MEDLINE and "We make healthcare run better" are registered trademarks of Medline Industries, LP. All product names, regardless of whether or not they appear with a trademark symbol, are the property of their respective companies unless otherwise noted.

MKT19W7940477 / e25303 / 200 / PP / 88