

# McKesson

## Vaginal Specula DISPOSABLE

### NON-STERILE

For use with Illumination Systems.

### INSTRUCTIONS FOR USE

#### DEVICE DESCRIPTION

Specula can be utilized for general office or operating room procedures.

#### CAUTIONS

- For use by trained medical staff only
- Not for use during electrosurgical procedures
- Not for use with laser equipment

#### WARNING

Inspect each speculum prior to use for damage.

#### INDICATIONS FOR USE

Vaginal specula are indicated whenever a visual examination of the vagina or cervix is necessary. The instruments are also necessary for visualization when treating vaginal/cervical lesions.

#### STERILIZATION

Specula are not supplied sterile, and are not intended for steam, EO or radiation processing.

#### DIRECTIONS FOR USE

1. The size and type of speculum is determined by the patients anatomy, physician's experience and intended use of the instrument.
2. The patient should be informed when the speculum is to be introduced and removed. Adjustments may be necessary to provide improved comfort.
3. With the patient in the lithotomy position, a speculum is inserted, usually without lubrication, in a horizontal fashion.
4. Hold the instrument in the dominant hand while the 2nd and 3rd fingers of the non-dominant hand spread the labia minora. Slightly depress the posterior forchette.
5. Advance the speculum partially opened until the cervix is clearly visualized. The speculum is then opened to a more fully open position, allowing for optimum visualization and patient comfort. The introduction of a speculum cannot be forced and should not be painful.
6. After visualization and completion of examination, press speculum release lever and remove. Dispose in accordance with local regulations.

**STORAGE:** Avoid freezing and excessive heat.

#### EXPLANATION OF SYMBOLS



Do not reuse.

**R<sub>x</sub> ONLY**

**CAUTION:** Federal (USA) law restricts this device to sale by or on the order of a physician.



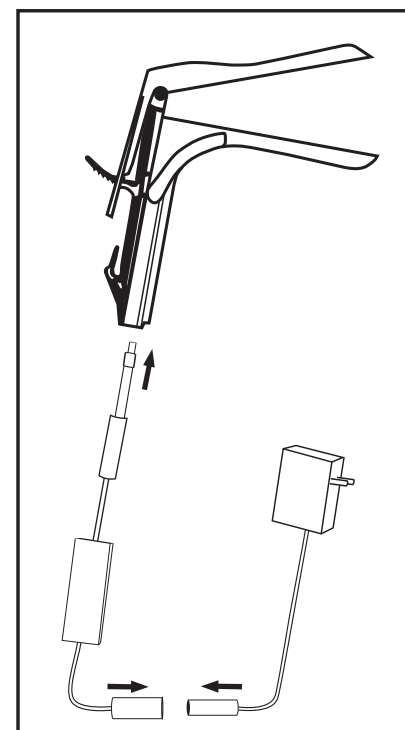
**CAUTION:** Consult accompanying documents.

Questions? Call 1-800-777-4908

#### Satisfaction Guaranteed

If you are not completely satisfied with any McKesson Brands product, you may return it for a full refund or credit.

**Distributed By**  
**McKesson Medical-Surgical Inc.**  
Richmond, VA 23233  
Rev. 01 04/16  
Made in China



Designed to work with most vaginal speculum illumination systems. (Illumination system not included in box.)