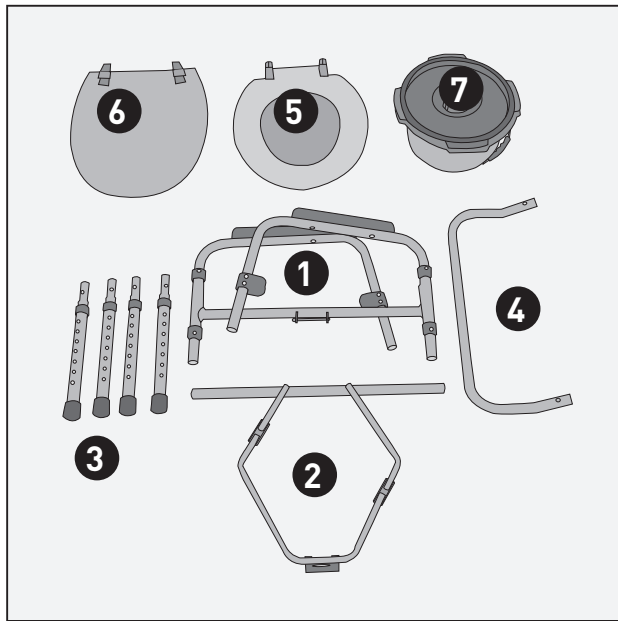


MCKESSON

Folding Steel Frame Commode

7.5 qt bucket | blue

For use with MFR# 146-RTL12031KDR.

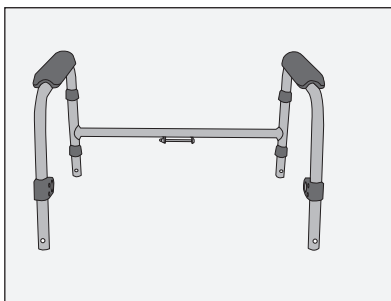


PARTS LIST

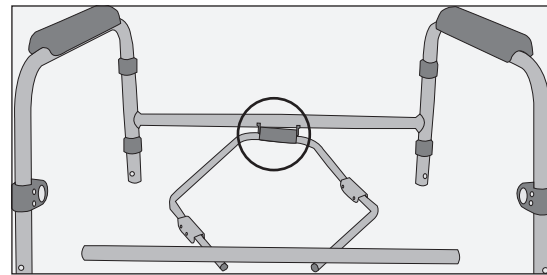
- | | |
|------------------|----------------|
| 1. Commode frame | 5. Toilet seat |
| 2. Bucket frame | 6. Cover |
| 3. Legs (4) | 7. Pail & lid |
| 4. Backrest | |

ASSEMBLY INSTRUCTIONS

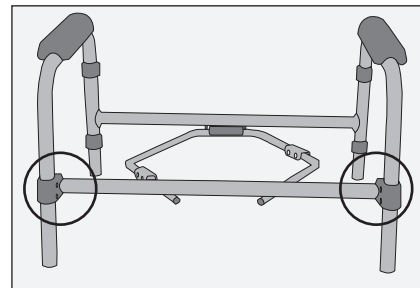
1. Open commode frame (1) as shown below and place on the floor.



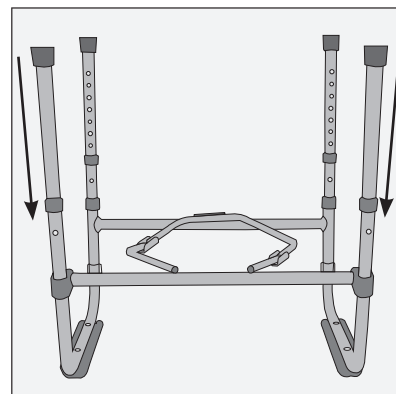
2. Slide the hook on the bucket frame (2) over the receptacle located on the back of the commode frame.



3. Secure bucket frame in place by inserting the front cross brace into the receptacles located on the front of the commode frame. The push buttons will "click" in place when they are secure.

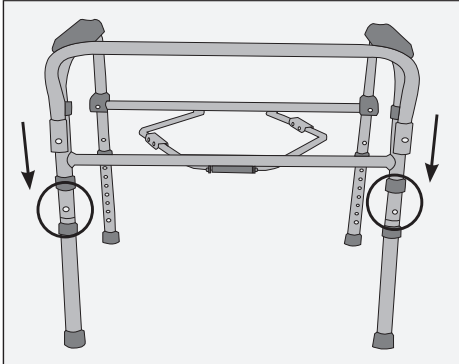


4. Turn the frame upside-down. Insert the legs (3) into each receptacle by depressing the push pins and sliding into place. The push buttons will "click" in place when they are secure.

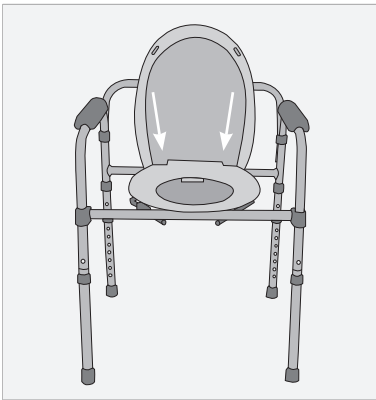


- Turn the commode right-side up. Insert the backrest (4) into the receptacles located on the back of the commode frame by depressing the push pins and sliding into place. The push buttons will "click" in place when they are secure.

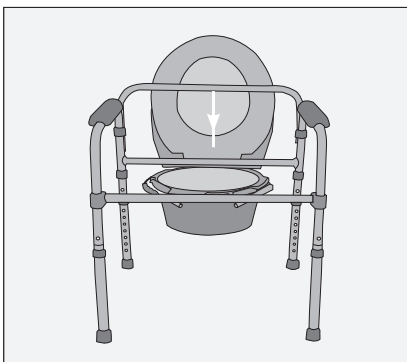
Note: The angle of the backrest should face outwards.



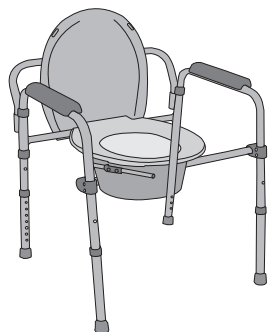
- Attach the toilet seat (5) and cover (6) to the back of the frame. The toilet seat hooks should fit inside the hooks of the cover.



- Lower commode bucket into frame and return seat to the down position.

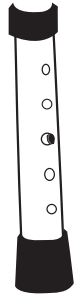


- Assembled commode



ADJUSTING LEG HEIGHT

- Before use, adjust height of each leg to your specific needs, making sure all legs are at the same height. When desired height is reached, lock legs into place by aligning buttons into proper holes, per illustration.
- Be sure legs are locked into place by pushing down on or by pulling legs.



ADDITIONAL PRECAUTIONS

- Toilet seat must be in down position before use. Failure to do so may result in breakage of commode and possible injury.
- Do NOT install commode without first reading and understanding this assembly and instruction sheet. If you cannot understand these instructions, contact a healthcare dealer or technical professional before attempting to install. Otherwise, injury or damage may occur.
- Inspect all parts for shipping damage before assembly. If there is shipping damage - DO NOT USE. Contact dealer/carrier for further instructions.
- Make certain that the height-adjusting snap buttons fully protrude through the same respective holes of each leg extension. This will ensure that the leg extensions are securely locked in position and an even height is achieved.
- Ensure ALL screws, nuts and/or bolts are tightened.
- Check the rubber tips on the leg extensions for rips, wear or if they are missing. Immediately replace any or all if any of these imperfections exist.
- All four leg extensions with rubber tips MUST touch the floor simultaneously at all times.
- Users with limited physical strength should be supervised or assisted while using commode.

Weight Capacity: 350 lbs (158 Kg)



WARNING: This product can expose you to bisphenol A (BPA), which is known to the State of California to cause birth defects or other reproductive harm. For more information, go to www.P65Warnings.ca.gov.

Technical support, replacement parts and warranty information? Call 1-866-694-5085

General product questions? Call 1-800-777-4908

Satisfaction Guaranteed

For complete details, please visit mms.mckesson.com/mckesson-brands.

Distributed by McKesson Medical-Surgical Inc.
Richmond, VA 23233
PVN B0518
Made in China