

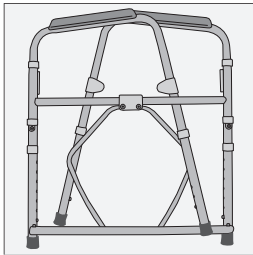
# Folding Steel Frame Commode

8 qt bucket

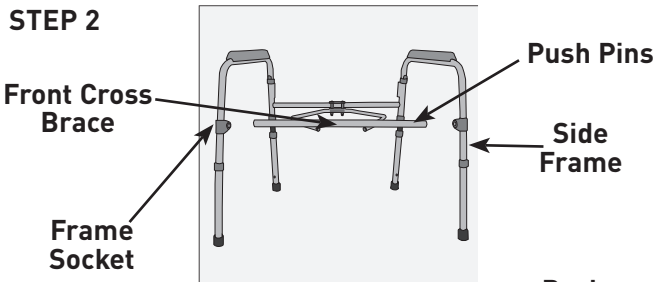
For use with MFR# 146-11148N-4.

## ASSEMBLY INSTRUCTIONS AND PRECAUTIONS

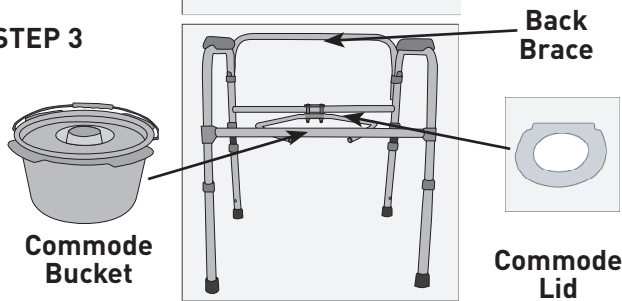
### STEP 1



### STEP 2



### STEP 3



1. Remove commode from packaging.
2. Unfold commode and stand upright.
3. Adjust the sides of commode frame perpendicular to the back frame.
4. Attach front cross brace by depressing brass push pins and sliding brace into side frame socket. Attach on both sides. Be sure brass push pins “snap” through holes.
5. Attach back brace by depressing brass push pins and sliding back brace into receptacle located on back of cross brace. Be sure brass push pins “snap” through holes.
6. Lower commode bucket into bracket and attach lid onto back of frame.
7. To unfold, depress push pins on back support and remove. Depress push pins on front frame and slide frame from side.

## ADJUSTING LEG HEIGHT

1. Before use, adjust height of each leg to your specific needs, making sure all legs are at the same height. When desired height is reached, lock legs into place by aligning buttons into proper holes, per illustration.
2. To be sure legs are locked into place by pushing down on or by pulling legs.

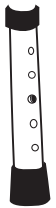


FIGURE 1

## ADDITIONAL PRECAUTIONS

1. Toilet seat must be in down position before use. Failure to do so may result in breakage of commode and possible injury.
2. Do NOT install commode without first reading and understanding this assembly and instruction sheet. If you can not understand these instructions, contact a healthcare dealer or technical professional before attempting to install. Otherwise, injury or damage may occur.
3. Inspect all parts for shipping damage before assembly. If there is shipping damage - DO NOT USE. Contact dealer/carrier for further instructions.
4. Make certain that the height adjusting snap buttons fully protrude through the same respective hole of each leg extension. This will ensure that the leg extensions are securely locked in position and an even height is achieved [see Figure 1].
5. Ensure ALL screws, nuts and/or bolts are tightened.
6. Check the rubber tips on the leg extensions for rips, wear or if they are missing. Immediately replace any or all if any of these imperfections exist.
7. All four leg extensions with rubber tips MUST touch the floor simultaneously at all times.
8. Users with limited physical strength should be supervised or assisted while using commode.



**WARNING:** This product can expose you to bisphenol A (BPA), which is known to the State of California to cause birth defects or other reproductive harm. For more information, go to [www.P65Warnings.ca.gov](http://www.P65Warnings.ca.gov).

Technical support, replacement parts and warranty information? Call 1-866-694-5085  
General product questions? Call 1-800-777-4908

Distributed by McKesson Medical-Surgical Inc.  
Richmond, VA 23233  
PVN B0518  
Made in China