

MOBILITY
MOVILIDAD
MOBILITÉ

MCKESSON

Walker Caddy

WITH CUP HOLDER | VERSATILE | EASY TO INSTALL

Includes a removable top that serves as an eating surface and provides storage for personal items.

Bandeja para andadera

CON PORTAVASOS | VERSÁTIL | FÁCIL DE INSTALAR

Incluye una cubierta removible que cumple la función de una superficie para comer y para almacenar artículos personales.

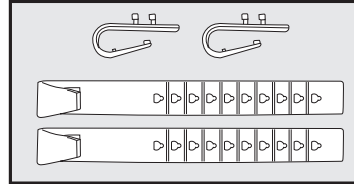
Panier pour cadre de marche

AVEC PORTE-GOBELET | POLYVALENT | INSTALLATION FACILE

Comprend un dessus amovible qui peut servir de surface de repas et qui permet de ranger des objets personnels.

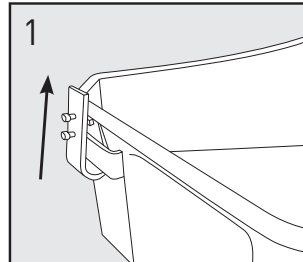
INSTALLATION INSTRUCTIONS

Your E-Z Walker Caddy comes with adjustment clips to attach to most size walkers.

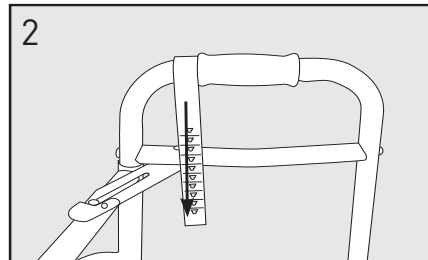


To attach E-Z Walker Caddy to walker:

1. Remove cover from the E-Z Walker Caddy.
2. Slide the small bracket (figure 1) through eyelit (from the bottom) on walker caddy. Adjustment pegs should face outward from the walker caddy. Repeat on other side.



3. Attach large brackets to walker frame (in front of handgrips) as shown (figure 2). Be sure large brackets are inside of walker frame.

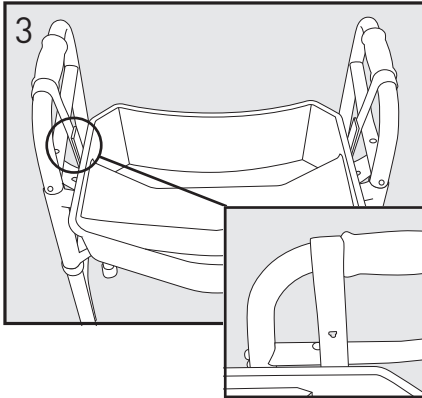


POWERED BY
CON LA TECNOLOGÍA DE
PROPULSÉ PAR

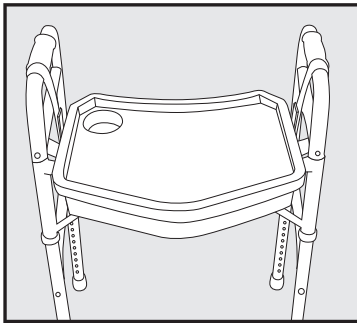
drive

MFR # 146-RTL10131

- Place E-Z Walker Caddy on walker frame and align small bracket adjustment pegs with the large bracket (figure 3).



- When E-Z Walker Caddy is secure, replace cover.



CARE AND MAINTENANCE

- Do not use an abrasive cleaner. Use a non-abrasive cleaner with warm water.
- Periodically inspect all components for damage or looseness.

McKesson carries a comprehensive selection of durable medical equipment products for bath safety, mobility and aids to daily living, including wheelchairs, canes, bath benches, and more. Choose McKesson for quality, selection, and value.



Technical support, replacement parts and warranty information? Call 1-866-694-5085
General product questions? Call 1-800-777-4908

Satisfaction Guaranteed

For complete details, please visit
mms.mckesson.com/mckesson-brands.

Distributed by McKesson Medical-Surgical Inc.
Richmond, VA 23233
PVN A0618
Made in China