

18 fl oz Wall Bracket

MFR # 53-180ZBK

PLEASE READ COMPLETE INSTRUCTIONS PRIOR TO INSTALLATION.

FOR USE WITH

18 fl oz Instant Hand Sanitizer

MFR # 53-28037-18

18 fl oz Instant Hand Sanitizer with Aloe

MFR # 53-27037-18

18 fl oz Antibacterial Soap

MFR # 53-28067-18

18 fl oz Antibacterial Soap with Aloe

MFR # 53-28087-18

18 fl oz Gentle Lotion Soap

MFR # 53-27857-18

18 fl oz Cucumber Melon Body Lotion

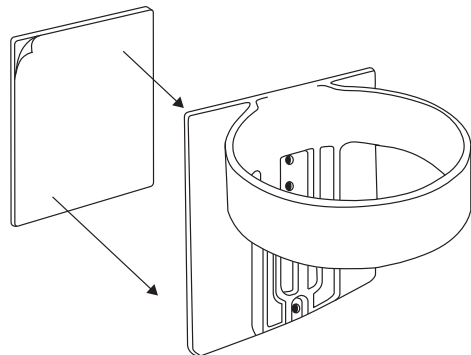
MFR # 53-28007-18

INSTRUCTIONS FOR USE

CLEARANCE: A minimum of 1 inch at bottom of dispenser bracket is required when mounting.

TAPE MOUNTING

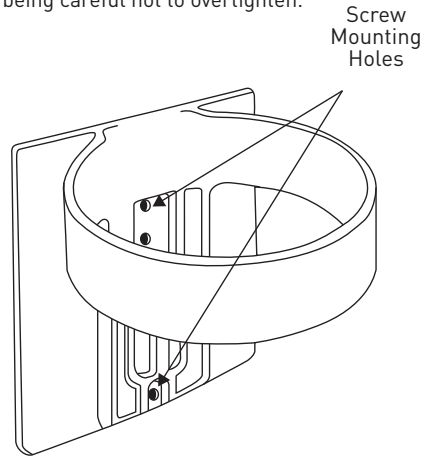
1. Extreme caution must be exercised to ensure mounting surface is flat, free of imperfections, clean, and dry. Tape mounting is recommended for mirrors or other similar flat surfaces without imperfections. Clean flat surface with a cleaner prior to tape mounting (depending on surface condition). Dry surface thoroughly.



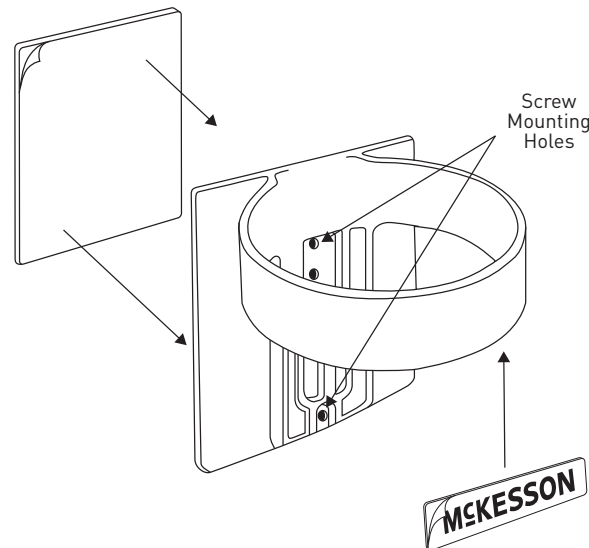
2. Remove protective backing from adhesive tape as shown and firmly press against the backside of the 18 fl oz wall bracket for 15 seconds. Remove the protective backing from the other side of the adhesive tape and apply to the cleaned surface holding in place for another 15 seconds. Allow 24 hours before loading an 18 fl oz bottle unit.

SCREW MOUNTING

1. Recommended for surfaces that do not meet the standards set forth for tape mounting in the previous section.
2. Hold dispenser against wall in desired position. Mark screw hole locations on wall.
3. Use included dry wall anchors if necessary. Drill hole size for #4-#6 x 7/8 inch screws to attach dispenser firmly to wall being careful not to overtighten.



4. To ensure a solid mounting of the 18 fl oz wall bracket, it is suggested to use the included tape mounting in conjunction with the #4-#6 x 7/8 inch screws.

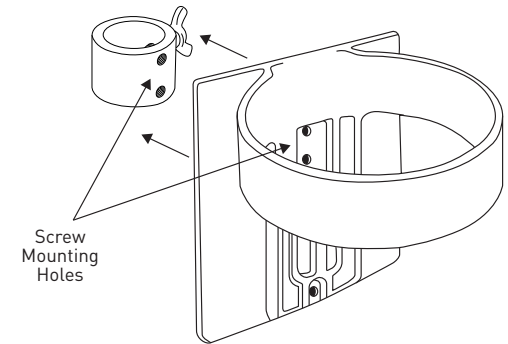


DECAL PLACEMENT

1. Apply included McKesson decal to the center front of the 18 fl oz wall bracket.

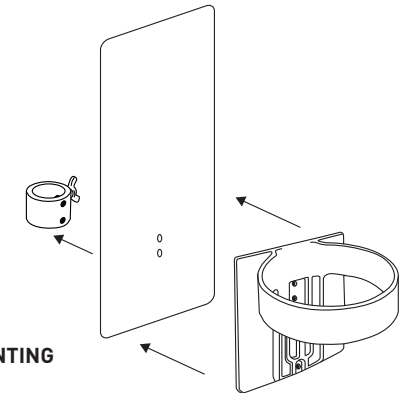
OPTIONAL BOT63447 FLOOR STAND MOUNTING WITHOUT BACKING PLATE*

1. Use supplied small machine screws (2 total) to attach bracket to wingnut of stand.

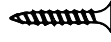






OPTIONAL BOT63447 FLOOR STAND MOUNTING WITH BACKING PLATE**

1. Use supplied large machine screws (2 total) to attach bracket through stand backing plate and then to wingnut.



BRACKET MOUNTING CONTENTS

 #4-#6 x 7/8 inch screw	x2
 Dry wall anchor	x2
 MCKESSON	x1
3.5 x 0.75 inch decal	x1
3 x 4 inch mounting tape	x1
18 fl oz wall bracket	x1
 Small machine screw	x2
<small>*For use with optional stand without backing plate.</small>	
 Large machine screw	x2
<small>**For use with optional stand with backing plate.</small>	

Questions? Call 1-800-777-4908

Satisfaction Guaranteed

For complete details, please visit mms.mckesson.com/mckesson-brands.

Distributed by
McKesson Medical-Surgical Inc.
 Richmond, VA 23233
 PVN A0424
 Made in China